

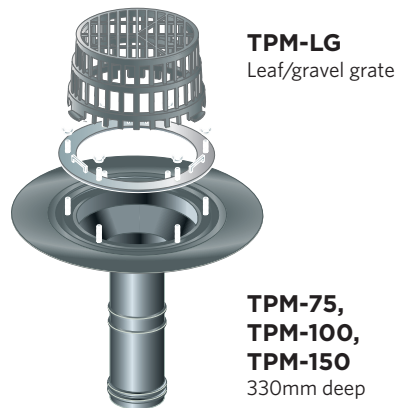
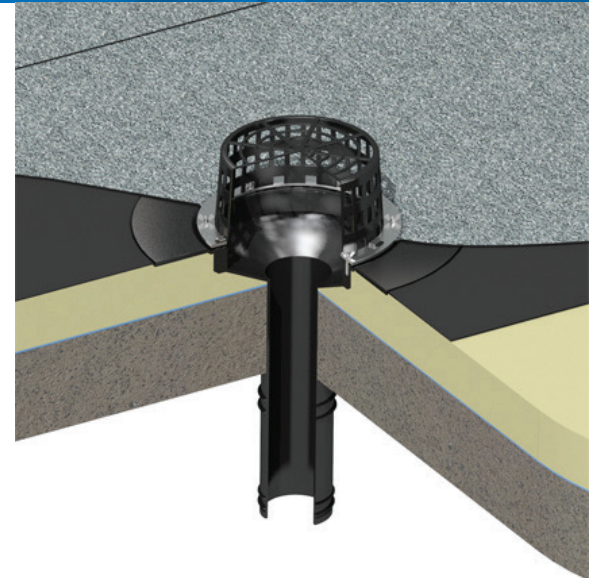
**PRODUCT DATASHEET**

# Mechanical Fix Flange Outlet

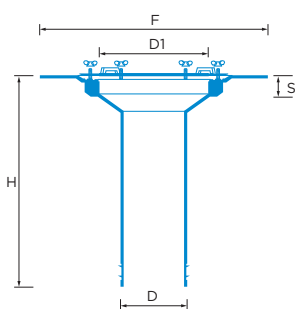
Mechanical fix flange outlets are manufactured to the highest specification. They incorporate a clamping ring that creates a secure, leakproof seal between the roofing membrane and rainwater outlet.

The roofing membrane is dressed over the outlet flange and secured by the mechanically fixed clamping ring which engages over threaded clips onto the clamping ring stainless steel studs. The leaf guard simply clips onto the clamping ring.

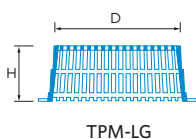
The thermoplastic drain body is highly durable, suitable for all atmospheric conditions, the remains flexible even at low temperatures.



## SIZING

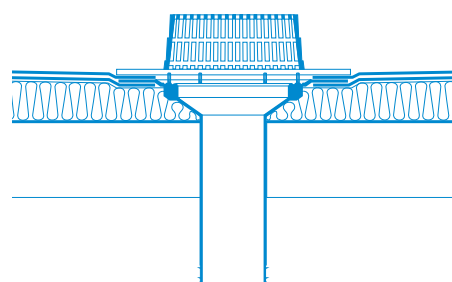


	TPM-75	TPM-100	TPM-150	TPM-LG
F	340	340	340	N/A
H	330	330	330	80
D	75	100	150	160
D1	170	170	170	N/A
S	30	30	30	N/A



\*All measurements in mm

**TPM-100 typical application in warm roof**



Castlepoint  
Castle Way  
Ellon AB41 9RG

01358 726000  
sales@rynogroup.co.uk  
rynogroup.co.uk