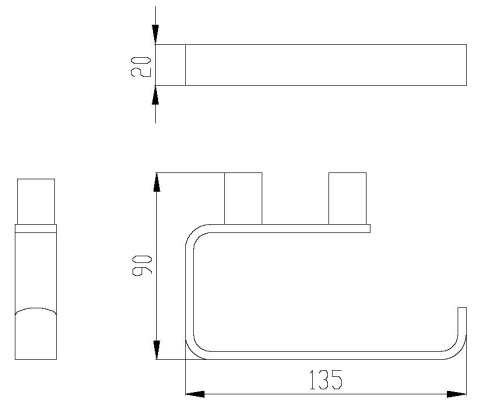
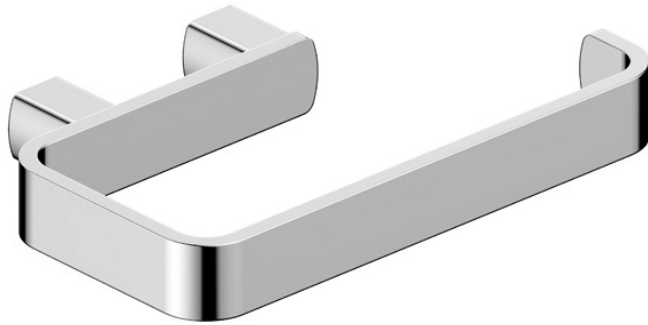


RAK-PETIT - RAKPES9901-2C
Paper Holder In Chrome

RAK
CERAMICS



TECHNICAL SPECIFICATIONS

Suite:	RAK-Petit
Type:	Paper Holder
Dimensions:	135 x 20 mm
Weight:	0.3 Kg
Color:	Black, Chrome, Brushed Nickel, Brush Gold
Code:	

Code	Name
RAKPES9901-2C	RAK- Petit Square Paper Holder In Chrome

Dimensions: All dimensions in mm. Tolerance of vitreous china & fireclay items: $\pm 5\%$ for below 200mm and $\pm 3\%$ for above 200mm; for all other items tolerance $\pm 1\%$. Note: Due to a continuing development program to improve design and performance, the manufacturer reserves all rights to vary specifications without prior information. Please note accessories are for photographic use only.