



THANK YOU FOR BUYING AN INDESIT PRODUCT
In order to receive a more complete assistance, please register your product on www.indesit.com/register



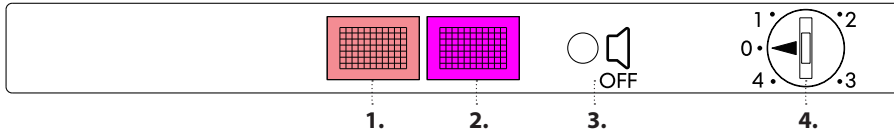
Before using the appliance carefully read the Safety Instruction.

FIRST TIME USE

Wait at least two hours, after the installation, before connecting the appliance to the power supply.
Connect the appliance to the power supply and turn the thermostat knob to switch on the appliance.

After turning the appliance on, you must wait for 4-6 hours for the correct storage temperature to be reached for a normally filled appliance. Position the antibacterial anti-odour filter in the fan as demonstrated in the filter packaging (if available).

CONTROL PANEL



1. Temperature control lamp (Red Alarm light)
2. Operation Control lamp (Green light)
3. Open door alarm switch
4. Temperature control knob (thermostat)

TEMPERATURE & OPERATION CONTROL LAMP (GREEN & RED LIGHT)

Please check that the voltage indicated on the rating plate situated inside the compartment corresponds to the voltage in your home. The earthing of this appliance is compulsory by law. The manufacturer will accept no liability for injury to persons or damage to objects arising from the non observance of this requirement.

When the appliance is plugged in, if the thermostat knob is not set to symbol •, the green and the red lamps (points 1 and 2 control panel) light up. The green control light always remains alight and indicates the operation of the appliance. The red control light remains alight until the set operation temperature has been attained. It lights up again when the temperature inside the freezer rises due to frequent or prolonged door opening, and when the appliance has been loaded with fresh food to be frozen.

OPEN DOOR ALARM SWITCH

This appliance is equipped with an acoustic alarm which sounds when the door is left open.

TEMPERATURE CONTROL KNOB (THERMOSTAT)

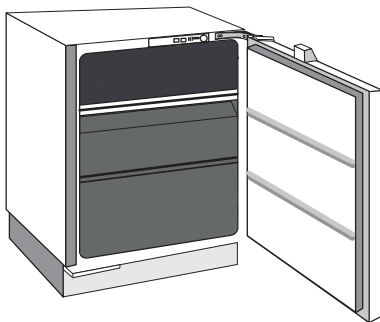
The thermostat controls the temperature inside the appliance. Position • indicates that the operation of appliance is interrupted. In normal ambient conditions (temperature between +20°C and +25°C), we suggest you adjust the thermostat control knob to a middle position. To obtain colder or warmer temperatures than -18°C, turn the thermostat control knob to the highest or lowest setting respectively. We remind you that internal temperatures are affected by the location of the appliance, the temperature of the surrounding air, the frequency of the door opening. The setting of the thermostat may have to be varied to allow for these factors. To check the temperature of the food stored, place the thermometer (if delivered) under the food; if it is placed on the food it will indicate the temperature of the air which does not correspond to that of the food stored.

Recommended setting:

Refrigerator compartment: MEDIUM

To avoid food waste, please refer to the recommended setting and storage times found in the online user manual.

HOW TO STORE FRESH FOOD



Legend



FREEZER DRAWERS



FREEZING ZONE DRAWER

(Max cool zone)

Suggested to freeze fresh/cooked food

* Available only on certain models

FREEZER COMPARTMENT

Freezing fresh food

1. It is advisable to set the temperature colder or turn on the Fast Freeze/ Fast Cool* at least four hours before removing the food from the freezer compartment, to prolong the preservation of the food during the defrosting phase.
2. To defrost, unplug the appliance and remove the drawers. Leave the door open to allow the frost to melt. To prevent the water from escaping during the defrost, it is advised that you place an absorbent cloth on the bottom of the freezer compartment and wring it out regularly.
3. Clean the inside of the freezer compartment and dry it carefully.

4. Turn the appliance back on and put the food back inside. To remove the frost on the STOP FROST* accessory, follow the CLEANING.

Ice cubes*

Fill 2/3 of the ice tray with water and put it back in the freezer compartment. Do not, under any circumstances, use sharp or pointed objects to remove the ice.

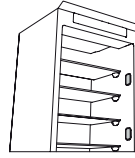
The quantity of fresh food that can be frozen in a specific time period is indicated on the rating plate.

Load limits are determined by baskets, flaps, drawers, shelves etc. Make sure that these components can still close easily after loading.

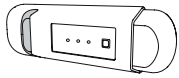
Light system (depending on model)



This product contains a light source of energy efficiency class G



This product contains 4 lateral light sources of energy efficiency class F



This product contains a light source of energy efficiency class G



This product contains 4 lateral light sources of energy efficiency class F and a top light source of energy class G



This product contains a top light source of energy efficiency class G

GENERAL INFORMATION

The drawers, baskets and shelves should be kept in their current position unless otherwise specified in this quick guide. The light system inside the refrigerator compartment uses LED lights, allowing for better lighting than with traditional light bulbs, as well as for very low energy consumption.

Doors and lids of the refrigeration appliance should be removed before disposal in the landfill, to avoid children or animals getting trapped inside.

* Available only on certain models

TROUBLESHOOTING

What to do if...	Possible reasons	Solutions
The appliance doesn't work.	There may be an appliance power supply problem.	Make sure: <ul style="list-style-type: none"> • there is not a power failure; • the plug is properly inserted in the power socket and the double-pole switch (if present) is in the correct position (on); • the household electrical system protection devices function; • the power cable is not broken; • the thermostat knob is not turned to "●".
The inside light does not work.	It may be necessary to replace the light bulb.	Disconnect the appliance from the power supply and contact the Technical Assistance Service if you need a replacement.
The internal temperature of the compartments is not cold enough.	The reasons could vary (see "Solution") column.	Check that: <ul style="list-style-type: none"> • the doors are closed properly; • the appliance is not installed near a heat source; • the temperature is appropriately set; • the circulation of air through the ventilation grilles on the base of the appliance is not obstructed.
The appliance is excessively noisy.	The appliance has not been installed correctly.	Check that the appliance is level.
Excessive amount of frost in the freezer compartment.	The door to the freezer compartment is not closed properly.	<ul style="list-style-type: none"> • Check that there is nothing preventing the door from closing properly. • Defrost the freezer compartment. • Make sure the appliance has been correctly installed.
The front edge of the appliance that the door gaskets seal against is hot.	This is not a problem. It prevents condensation from forming.	A solution is not needed.
If the red light is on continuously or flashing, the internal temperature is too high.	The appliance has not been installed correctly.	Check that: <ul style="list-style-type: none"> • the door is not properly shut; • the thermostat control knob is correctly set (see chapter "Adjustment of the temperature"); • the freezer is not near a source of heat; • there is a large build up of frost on the inner walls; • the air flow is not restricted.

* Available only on certain models



Policies, standard documentation and additional product information can be found by:

- Visiting our website docs.indesit.eu
- Using QR Code
- Alternatively, **contact our After-sales Service** (See phone number in the warranty booklet). When contacting our After-sales Service, please state the codes provided on your product's identification plate.

The model information can be retrieved using the QR-Code indicated on the energy label. The label also includes the model identifier that can be used to consult the <https://eprel.ec.europa.eu> database portal.



