

KITCHENKIT

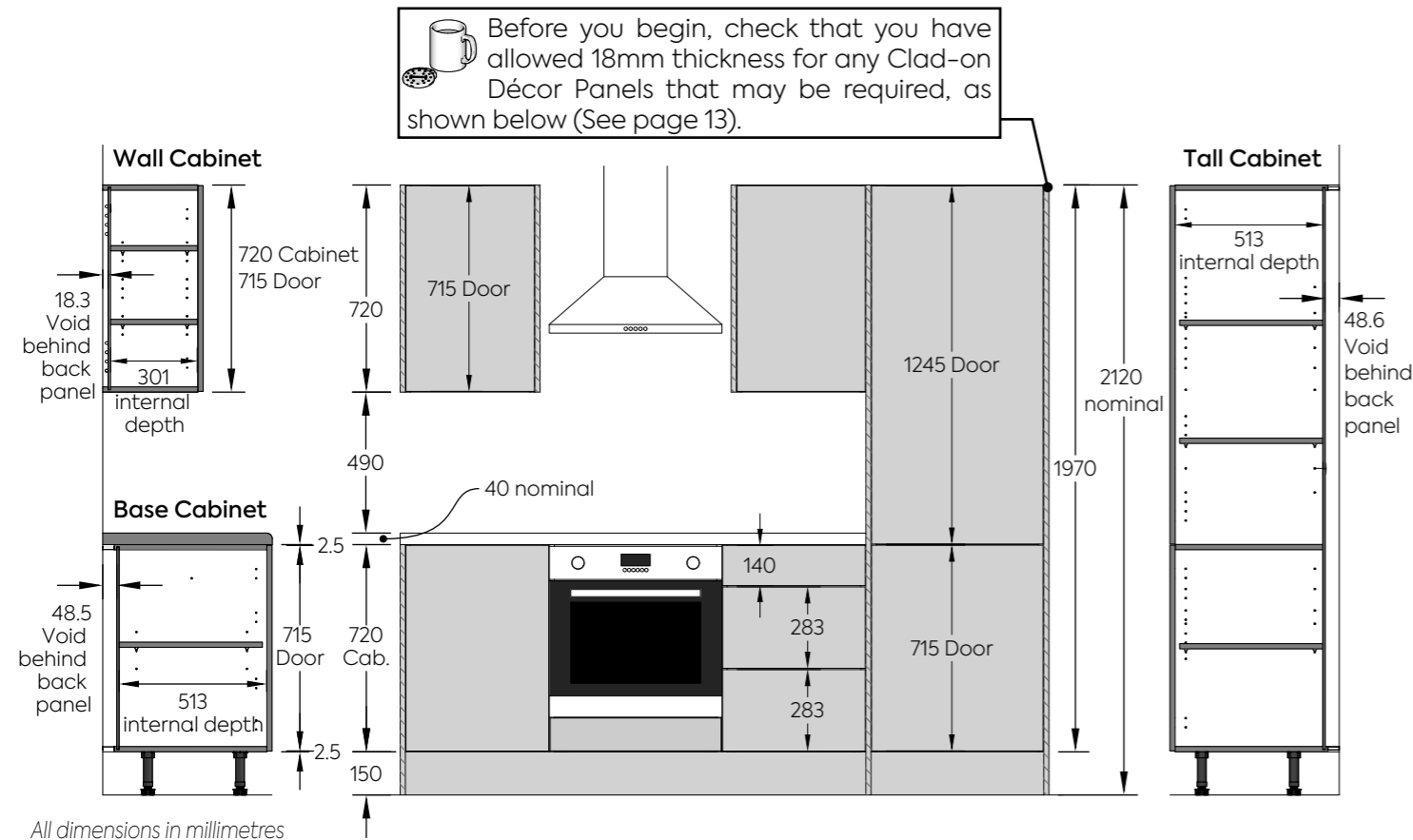
TRADE KITCHENS **MADE EASY**

GUIDE TO DELIVERY AND INSTALLATION

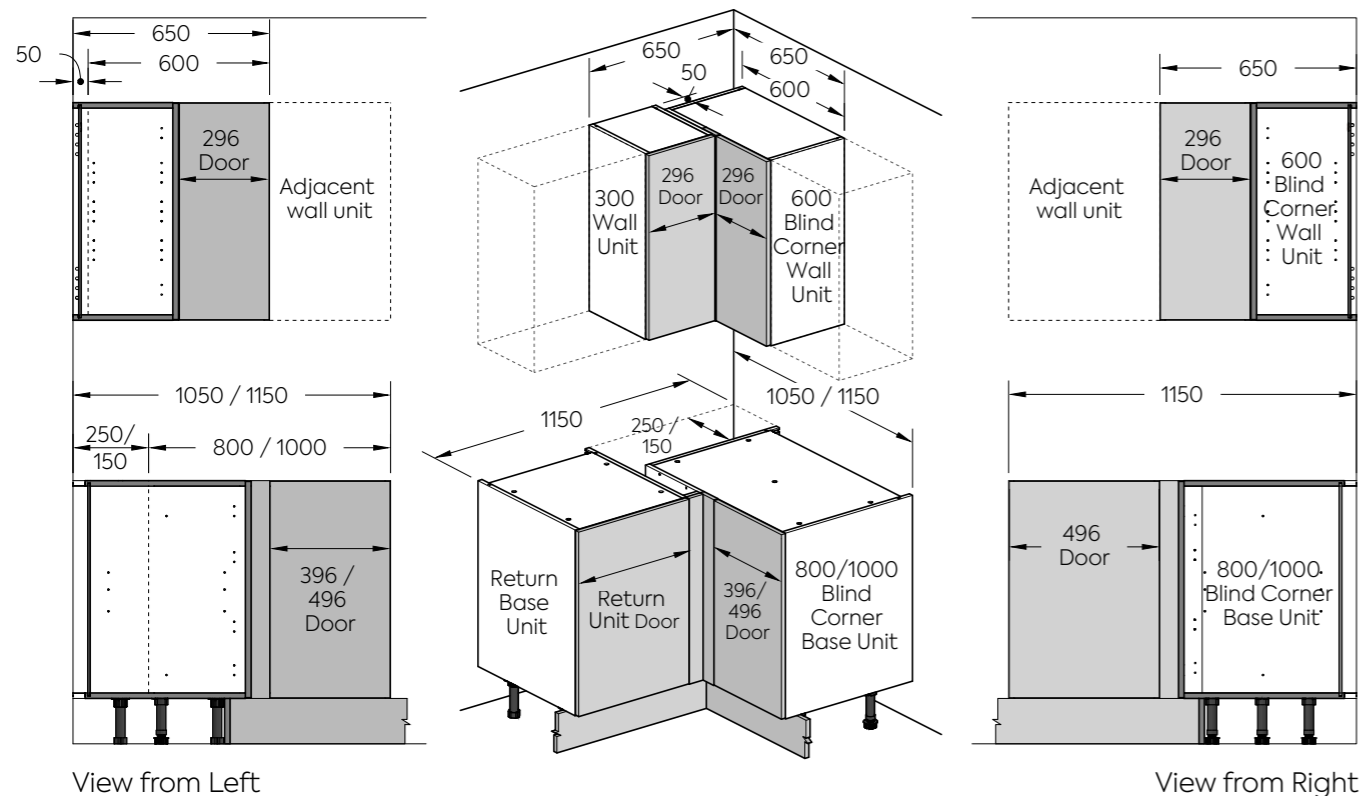
Issue 1 –
September 2022



GENERAL PLANNING DIMENSIONS



CORNER UNIT PLANNING DIMENSIONS



INTRODUCTION

Important Information



We recommend you have a cuppa & take five minutes to read this guide before you install your Kitchen. We hope this guide helps you even if you're highly skilled.

These guidelines are not a substitute for professional advice. Whilst every care has been taken to ensure that the product design, descriptions, specification and techniques of constructing the products are accurate at the date of printing, Kitchen Kit product will inevitably change from time to time.

Note: It is not advisable to fit a kitchen in a newly constructed or recently plastered room. A high moisture content in the environment may cause the doors to swell and split. It is recommended that doors are stored outside the kitchen until the room has dried out thoroughly. A garage or other out buildings are not suitable for this purpose.

Section 1: Check Off Your Delivery.

A kitchen consists of multiple components & packages, please use this section to check carefully against your delivery. Ensure all items are on-site prior to starting installation.

Section 2: Cabinet Installation.

See pages 8 to 13, which shows the step by step installation of a typical kitchen layout. Also note the tools required and other points covered at the end of this guide.

KITCHEN KIT

TRADE KITCHENS MADE EASY

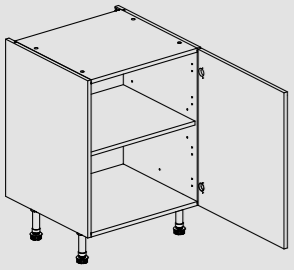
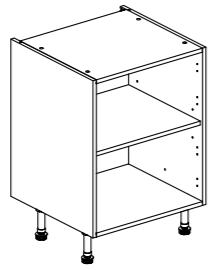
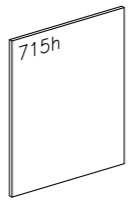
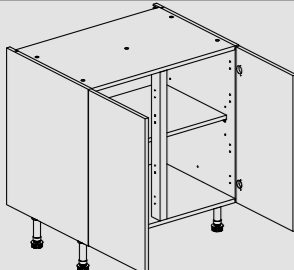
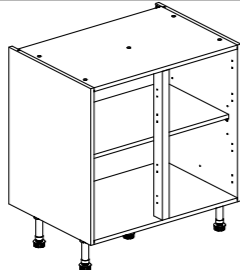
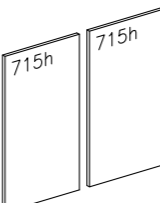
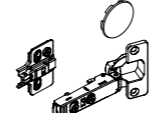
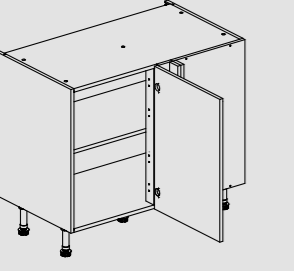
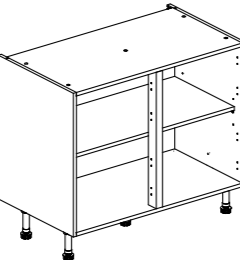
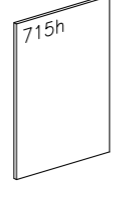
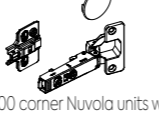

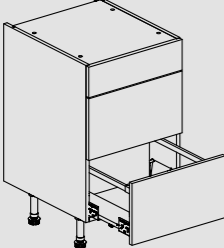
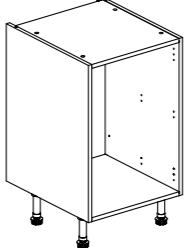
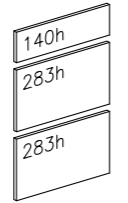
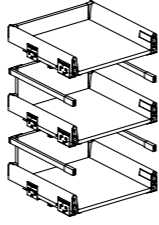
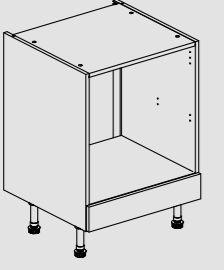
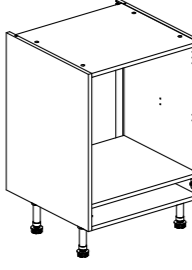
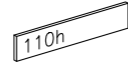
DELIVERY AND INSTALLATION GUIDE

CONTENTS

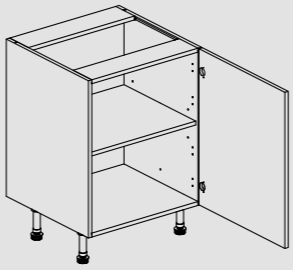
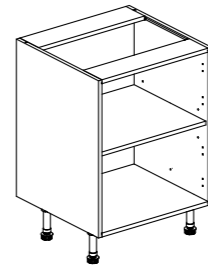
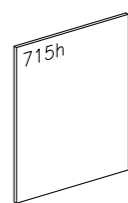
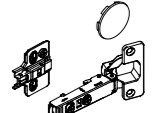
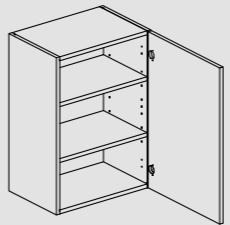
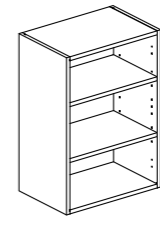

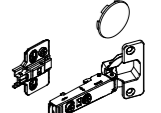
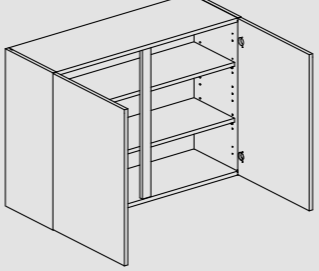
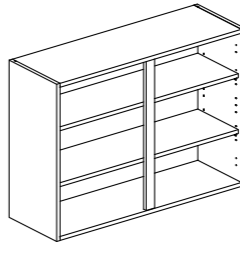
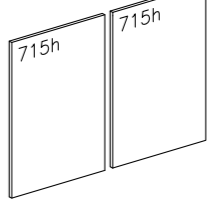
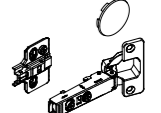

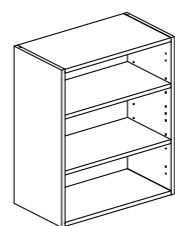
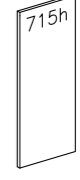
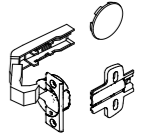
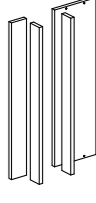
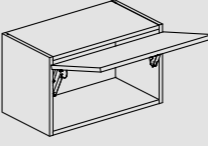
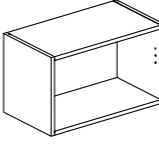
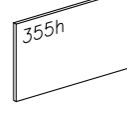

General Planning Dimensions	2
Corner Unit Planning Dimensions	2
Introduction & Contents	3
Section 1: Check Off Your Delivery	4-7
Section 2: Cabinet Installation	8-12
Section 3: Clad-on Décor Panels, Doors, Handles & Trim	13-21
Section 4: Tools Required, Hints & Tips,	22-23
Section 5: Care & Maintenance	24

SECTION 1: CHECK OFF YOUR DELIVERY

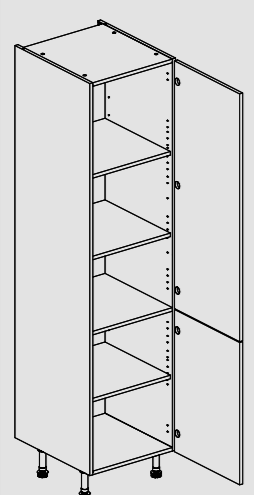
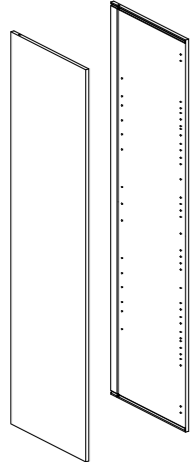
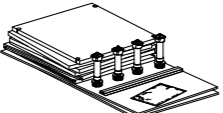
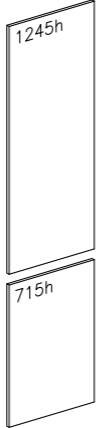
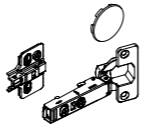
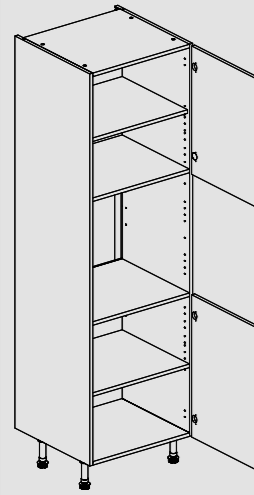
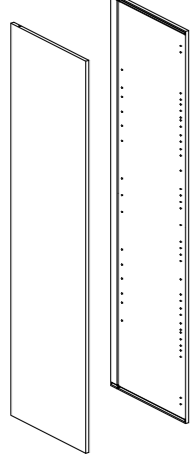
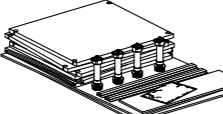

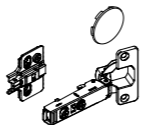
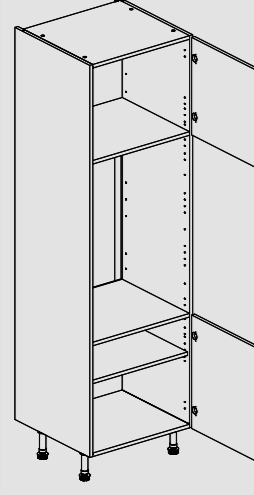
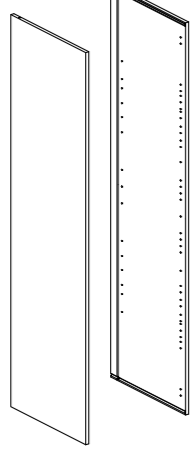
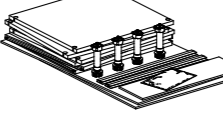

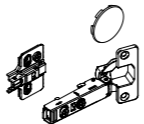
Base Cabinets

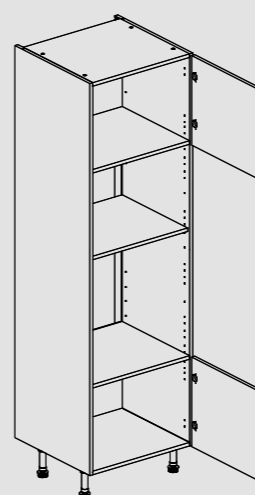
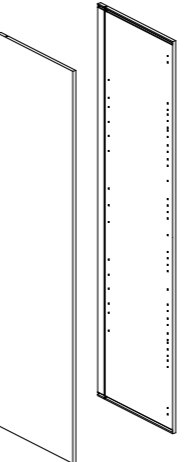
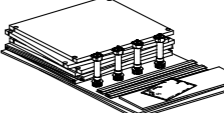

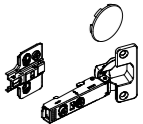
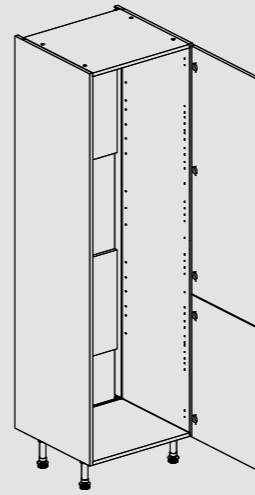
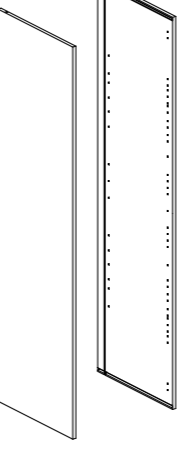
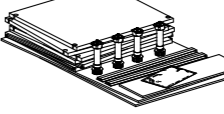

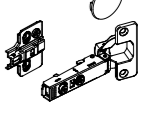
Ordered Item:	Components Received:		
	Cabinet (Flatpack or Rigid)	Fascias	Additional items:
 <p>Single Base Units 150 <input type="checkbox"/> 300 <input type="checkbox"/> 400 <input type="checkbox"/> 450 <input type="checkbox"/> 500 <input type="checkbox"/> 600 <input type="checkbox"/></p>	 <p>Single Base Cabinet 150 <input type="checkbox"/> 300 <input type="checkbox"/> 400 <input type="checkbox"/> 450 <input type="checkbox"/> 500 <input type="checkbox"/> 600 <input type="checkbox"/></p>	 <p>Door 146 <input type="checkbox"/> 296 <input type="checkbox"/> 396 <input type="checkbox"/> 446 <input type="checkbox"/> 496 <input type="checkbox"/> 596 <input type="checkbox"/></p>	<input type="checkbox"/> 2 x hinges/plates <input type="checkbox"/> 2 x Cover Caps (J-Pull style Doors only) <input type="checkbox"/> Assembly Instructions 150 pull-out units will have additional wirework supplied.
 <p>Double Base Units 800 <input type="checkbox"/> 1000 <input type="checkbox"/></p>	 <p>Double Base Cabinet 800 <input type="checkbox"/> 1000 <input type="checkbox"/></p>	 <p>Door 2 x 396 <input type="checkbox"/> 496 <input type="checkbox"/></p>	<input type="checkbox"/> 4 x hinges/plates <input type="checkbox"/> 4 x Cover Caps (J-Pull style Doors only) <input type="checkbox"/> Assembly Instructions 
 <p>Blind Corner Base Units 800 <input type="checkbox"/> 1000 <input type="checkbox"/></p>	 <p>Double Base Cabinet 800 <input type="checkbox"/> 1000 <input type="checkbox"/></p>	 <p>Door 396 <input type="checkbox"/> 496 <input type="checkbox"/></p>	<input type="checkbox"/> 2 x hinges/plates <input type="checkbox"/> 2 x Cover Caps (J-Pull style Doors only) <input type="checkbox"/> Blank Panel <input type="checkbox"/> Corner Spacing Panel <input type="checkbox"/> Two-Part Corner Post <input type="checkbox"/> Assembly Instructions   <p>1000 corner Nuvola units will have additional wirework supplied.</p>
 <p>Drawer Base Units 500 <input type="checkbox"/> 600 <input type="checkbox"/> 800 <input type="checkbox"/></p>	 <p>Drawer Base Cabinet 500 <input type="checkbox"/> 600 <input type="checkbox"/> 800 <input type="checkbox"/></p>	 <p>Drawer Fronts 3 x 496 <input type="checkbox"/> 596 <input type="checkbox"/> 796 <input type="checkbox"/></p>	<input type="checkbox"/> 3 x Drawer Box <input type="checkbox"/> Assembly Instructions 
 <p>Built Under Oven Base Units 600 <input type="checkbox"/></p>	 <p>Built Under Oven Base Cabinet 600 <input type="checkbox"/></p>	 <p>Dummy Drawer 596 <input type="checkbox"/></p>	<input type="checkbox"/> Assembly Instructions

Base / Wall Cabinets

Ordered Item:	Components Received:		
	Cabinet (Flatpack or Rigid)	Fascias	Additional items:
 <p>Sink Base Units 600 <input type="checkbox"/></p>	 <p>Sink Base Cabinet 600 <input type="checkbox"/></p>	 <p>Door 596 <input type="checkbox"/></p>	<input type="checkbox"/> 2 x hinges/plates <input type="checkbox"/> 2 x Cover Caps (J-Pull style Doors only) <input type="checkbox"/> Assembly Instructions 
 <p>Single Wall Units 300 <input type="checkbox"/> 400 <input type="checkbox"/> 450 <input type="checkbox"/> 500 <input type="checkbox"/> 600 <input type="checkbox"/></p>	 <p>Single Wall Cabinet 300 <input type="checkbox"/> 400 <input type="checkbox"/> 450 <input type="checkbox"/> 500 <input type="checkbox"/> 600 <input type="checkbox"/></p>	 <p>Door 296 <input type="checkbox"/> 396 <input type="checkbox"/> 446 <input type="checkbox"/> 496 <input type="checkbox"/> 596 <input type="checkbox"/></p>	<input type="checkbox"/> 2 x hinges/plates <input type="checkbox"/> 2 x Cover Caps (J-Pull style Doors only) <input type="checkbox"/> Assembly Instructions 
 <p>Double Wall Units 800 <input type="checkbox"/> 1000 <input type="checkbox"/></p>	 <p>Double Wall Cabinet 800 <input type="checkbox"/> 1000 <input type="checkbox"/></p>	 <p>Door 2 x 396 <input type="checkbox"/> 496 <input type="checkbox"/></p>	<input type="checkbox"/> 4 x hinges/plates <input type="checkbox"/> 4 x Cover Caps (J-Pull style Doors only) <input type="checkbox"/> Assembly Instructions 
 <p>Blind Corner Wall Units 600 <input type="checkbox"/></p>	 <p>Single Wall Cabinet 600 <input type="checkbox"/></p>	 <p>Door 296 <input type="checkbox"/></p>	<input type="checkbox"/> 2 x Blind corner hinge/plates <input type="checkbox"/> 2 x Cover Caps (J-Pull style Doors only) <input type="checkbox"/> Blank Panel <input type="checkbox"/> Corner Spacing Panel <input type="checkbox"/> Two-Part Corner Post <input type="checkbox"/> Assembly Instructions  
 <p>Bridging Unit Units 500 <input type="checkbox"/> 600 <input type="checkbox"/></p>	 <p>Bridging Unit Carcase 500 <input type="checkbox"/> 600 <input type="checkbox"/></p>	 <p>Door 496 <input type="checkbox"/> 596 <input type="checkbox"/></p>	<input type="checkbox"/> 2 x Hinge Flap Stay <input type="checkbox"/> Assembly Instructions 

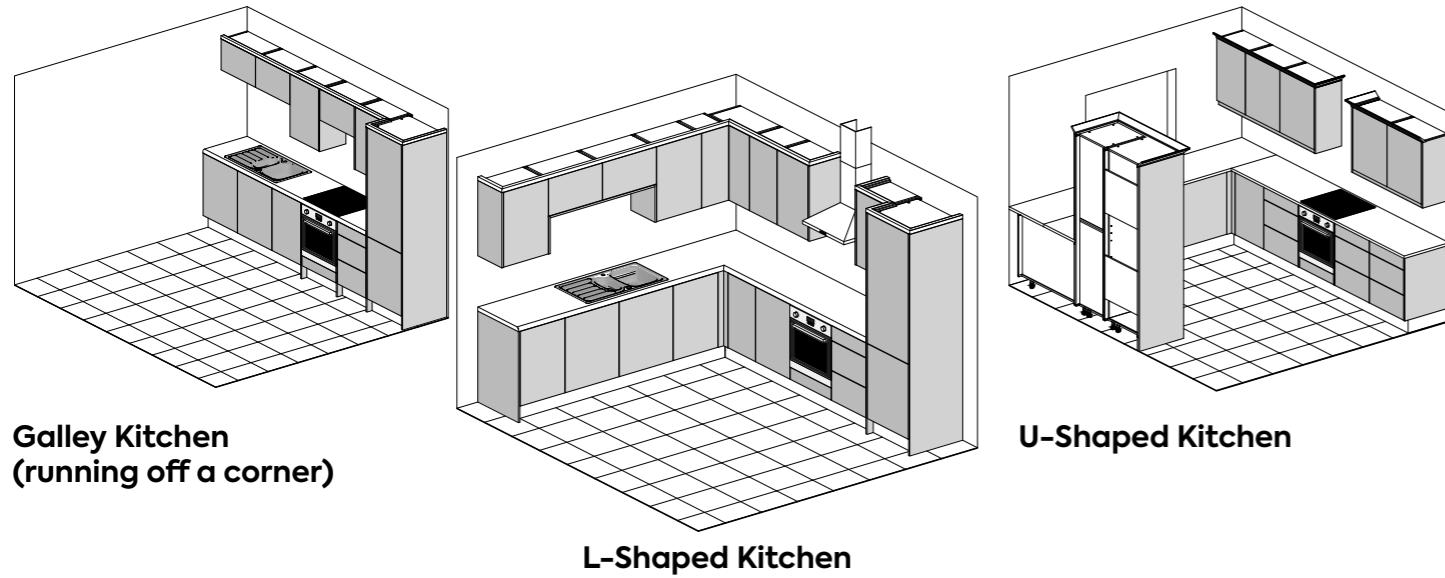
Tower Cabinets

Ordered Item:	Components Received:			
	Common End Pack	Mid Pack	Fascias	Additional items:
 <p>Tower Larder Cabinet <input type="checkbox"/> 300 <input type="checkbox"/> 500</p>	 <p>Common End Pack <input type="checkbox"/> Std</p>	 <p>1 x fixed shelf, 3 x adjustable shelves Plus all horizontal components, plus backs & fittings.</p> <p>Mid Pack <input type="checkbox"/> 300 <input type="checkbox"/> 500</p>	 <p>1245h 715h</p> <p>Doors: 715h and 1245h x <input type="checkbox"/> 296 <input type="checkbox"/> 500</p>	<ul style="list-style-type: none"> <input type="checkbox"/> 5 x hinges/plates <input type="checkbox"/> 5 x Cover Caps (J-Pull style Doors only) <input type="checkbox"/> Assembly Instructions  <p>300 pull-out larders will have additional wirework supplied.</p>
 <p>Tower Single Oven Housing <input type="checkbox"/> 600</p>	 <p>Common End Pack <input type="checkbox"/> Std</p>	 <p>3 x fixed shelves, 1 x adjustable shelf Plus all horizontal components, plus backs & fittings.</p> <p>Mid Pack <input type="checkbox"/> 600</p>	 <p>645h 715h</p> <p>Doors: 715h and 645 x <input type="checkbox"/> 600</p>	<ul style="list-style-type: none"> <input type="checkbox"/> 4 x hinges/plates <input type="checkbox"/> 4 x Cover Caps (J-Pull style Doors only) <input type="checkbox"/> Assembly Instructions 
 <p>Tower Double Oven Housing <input type="checkbox"/> 600</p>	 <p>Common End Pack <input type="checkbox"/> Std</p>	 <p>3 x fixed shelves, 1 x adjustable shelf Plus all horizontal components, plus backs & fittings.</p> <p>Mid Pack <input type="checkbox"/> 600</p>	 <p>490h 570h</p> <p>Doors: 490h and 570h x <input type="checkbox"/> 600</p>	<ul style="list-style-type: none"> <input type="checkbox"/> 4 x hinges/plates <input type="checkbox"/> 4 x Cover Caps (J-Pull style Doors only) <input type="checkbox"/> Assembly Instructions 

Ordered Item:	Components Received:			
	Common End Pack	Mid Pack	Fascias	Additional items:
 <p>Single Oven & Microwave Housing <input type="checkbox"/> 600</p>	 <p>Common End Pack <input type="checkbox"/> Std</p>	 <p>3 x fixed shelves, 1 x adjustable shelf Plus all horizontal components, plus backs & fittings.</p> <p>Mid Pack <input type="checkbox"/> 600</p>	 <p>450h 450h</p> <p>Doors: two 450h x <input type="checkbox"/> 600</p>	<ul style="list-style-type: none"> <input type="checkbox"/> 4 x hinges/plates <input type="checkbox"/> 4 x Cover Caps (J-Pull style Doors only) <input type="checkbox"/> Assembly Instructions 
 <p>Tower Fridge/Freezer Housing <input type="checkbox"/> 600</p>	 <p>Common End Pack <input type="checkbox"/> Std</p>	 <p>3 x fixed shelves, 1 x adjustable shelf Plus all horizontal components, plus backs & fittings.</p> <p>Mid Pack <input type="checkbox"/> 600</p>	 <p>715h 1245h</p> <p>Doors: 715h and 1245h x <input type="checkbox"/> 600</p>	<ul style="list-style-type: none"> <input type="checkbox"/> 5 x hinges/plates <input type="checkbox"/> 4 x Cover Caps (J-Pull style Doors only) <input type="checkbox"/> Assembly Instructions 

SECTION 2: CABINET INSTALLATION

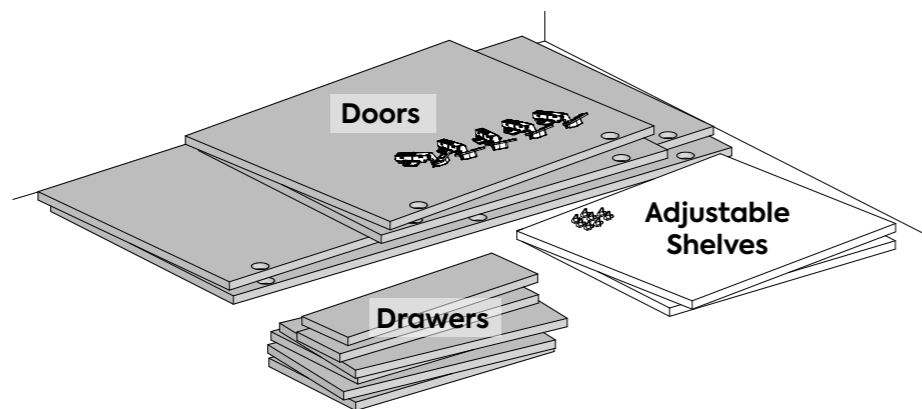
Preparation



Three typical kitchen layouts are shown here, but for the purposes of this installation guide we will run through the key stages of fitting an **L-Shape Kitchen**. Please ensure you have considered the following factors, which may need the involvement of a professional installer:

- Position of services – Water, Gas, Electricity – are they in the correct place for the new installation, or do you need a professional tradesman's help to relocate and/or install any sinks & appliances?
- Are your walls and floors level? This could make quite a difference to the installation – Kitchen Kit cabinets are supplied with adjustable feet and wall hanging brackets, which will compensate for everyday fitting issues – however if the room is particularly uneven or out of square, it is important to establish this at the outset, as you may need some work carrying out beforehand (e.g. floor levelling).
- Ensure the cabinets are fully assembled – If you have bought a flatpack kitchen, the cabinets should be assembled first, so you can concentrate on the various issues involved in actually fitting the kitchen together. Blind corner units should be pre-fitted with blanking panels in place, and any Tall Tower units should have their fixed shelves installed at the correct positions, with back panels prepared, ready to receive any appliances.
- Clear the area – ensure you have adequate space to carry out the works safely, and don't forget to wear any appropriate items as required, such as goggles, safety gloves, dust masks, safety footwear etc.

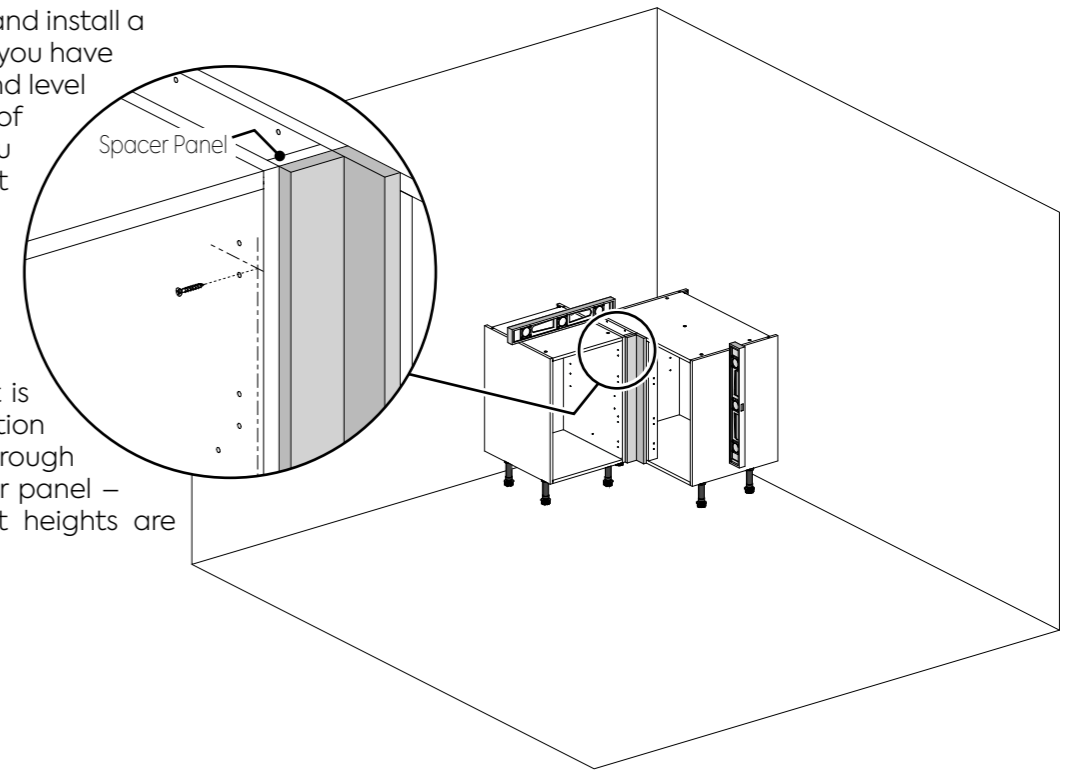
Please ensure that all secondary-fit items are stored safely in a different area to avoid any damages – these include all doors, drawers, and adjustable shelves, these can be fitted at a later stage.



Step i. – Start in a Corner

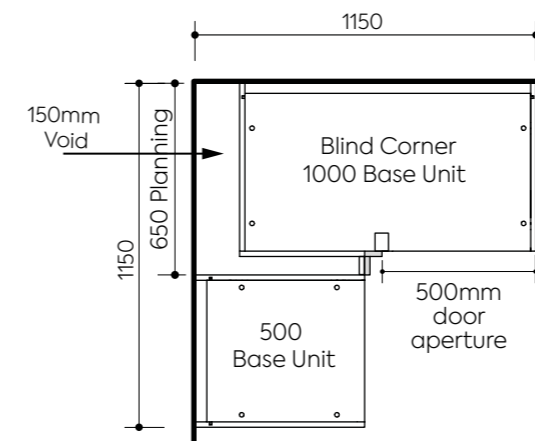
Always ensure that you plan and install a kitchen from a corner. Once you have set the corner units square and level – it will greatly assist the rest of the kitchen installation, as you will have a fixed starting point to work from.

The return unit is secured in position by fixing through into the spacer panel – ensure cabinet heights are aligned.

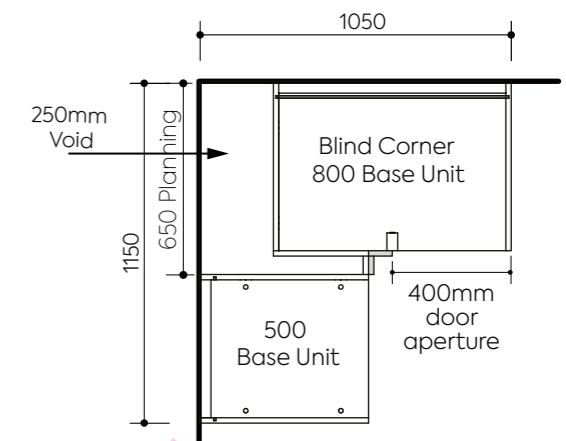


Below shows our standard corner units, with the required planning dimensions – it is possible to vary from these dimensions by adjusting the width of the corner post on-site

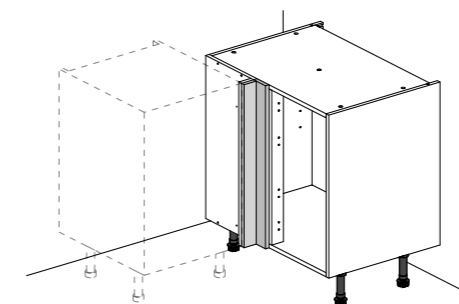
1000 Blind Corner Base Cabinet (LH shown)



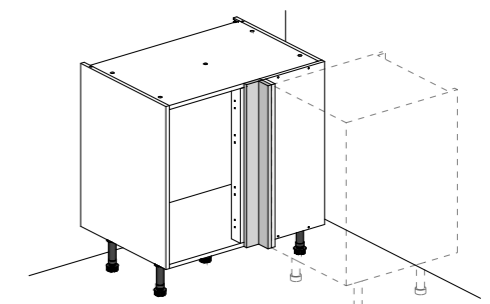
800 Blind Corner Base Cabinet (LH shown)



Note: Corner units are left and right handed as shown below – the fitting of the blanking panel determines the handing of the cabinet.



Left Hand Blind Corner Unit with the blanking panel on the left.



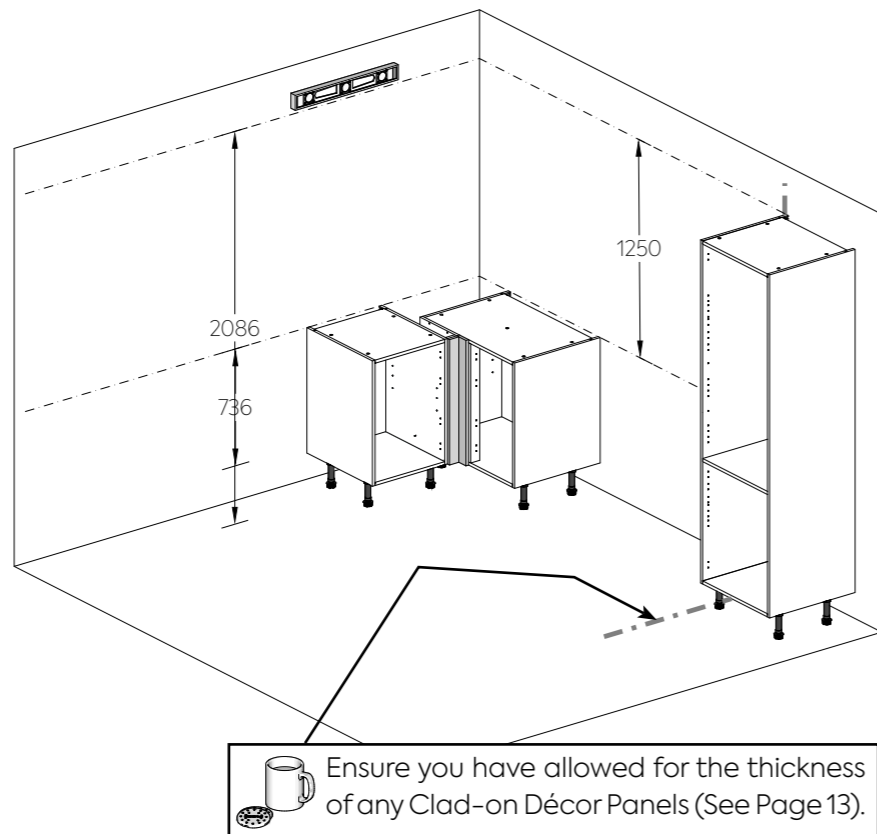
Right Hand Blind Corner Unit with blanking panel on the right.

Step ii. - Tall Units

Tall Tower units should be introduced at this point – even if this is purely from a height and planning perspective, as it will allow you to understand the overall installation, as well as a check on how level and square the room is.

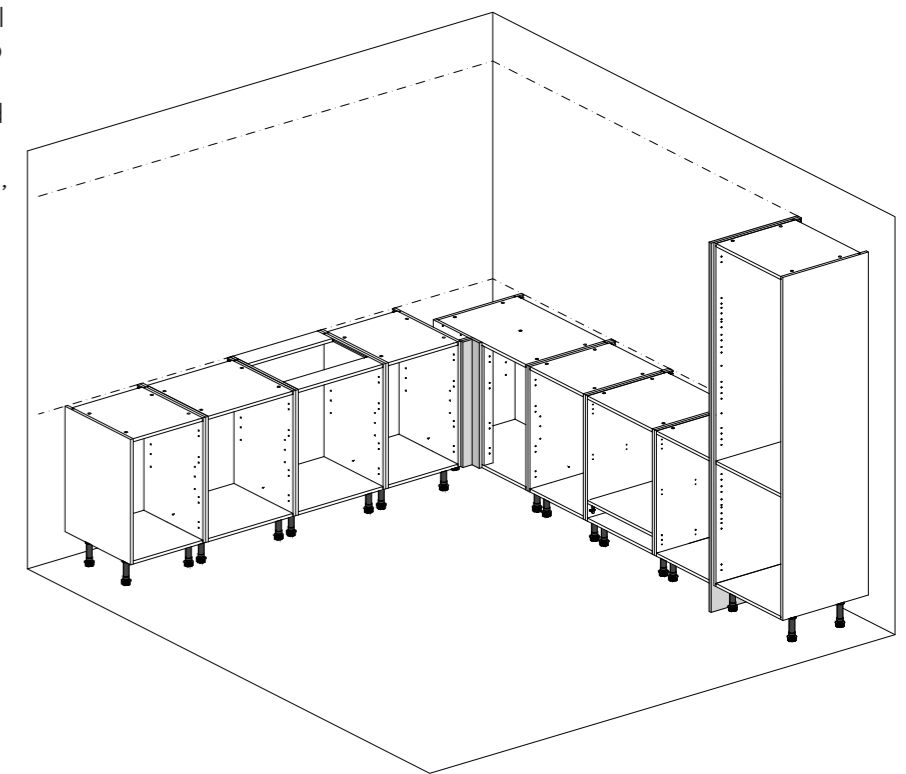
Check all heights and levels before proceeding

Note: Don't fit adjustable shelves, doors, hinges and drawer fronts at this point. Fit them once everything else is done.



Step iv. - Fix Base Units to the Wall

Ensure you securely fix cabinets to the wall as you install the run of base units – we do not supply fixings to do this, as they vary greatly depending on the type of wall and house build involved. We recommend you consult with an experienced tradesperson, or one of the popular Screws/Fixings stockists for advice on the best choice of fixings to suit your house build type.

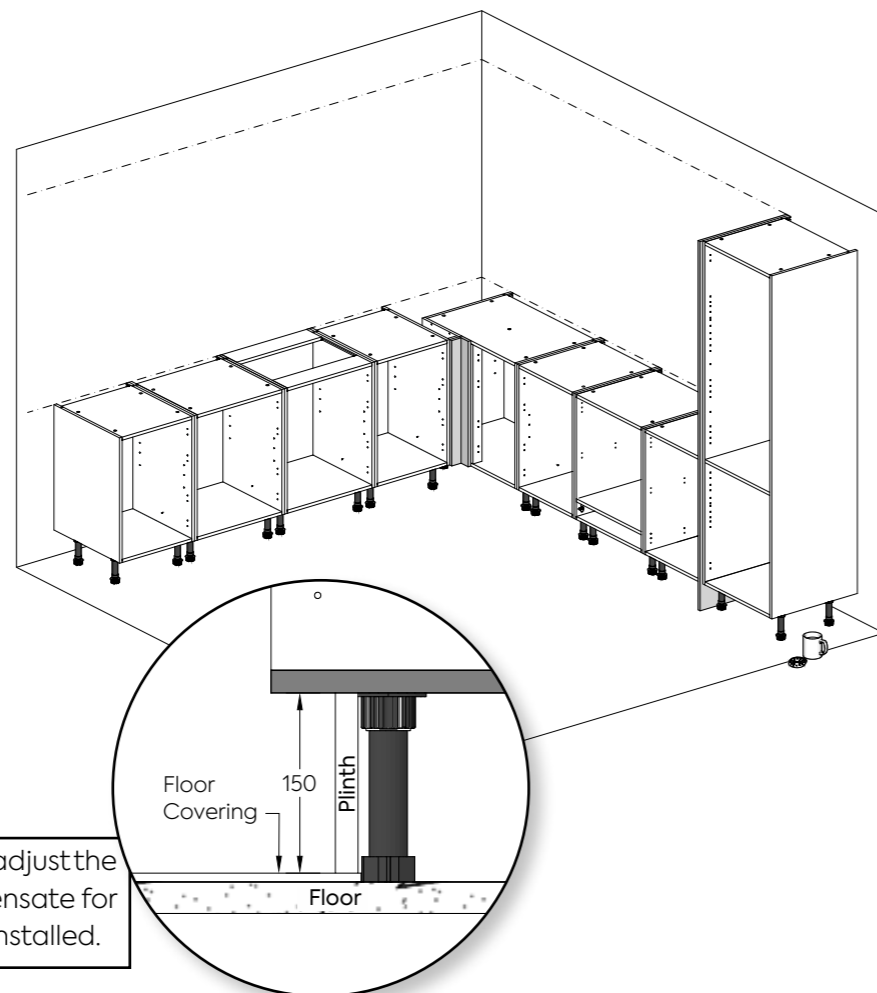


Step iii. - Position the Base Units

Working outwards from the corner unit, Install the adjacent run of base cabinets by screw-fixing through each end panel, clamp grips are an essential tool to do this.

Keep checking that everything is level & square as you fit each unit into place.

Create cut-outs for any service pipes or obstacles, this can be done with a jigsaw, by cutting the cabinet end panels behind the back panels.



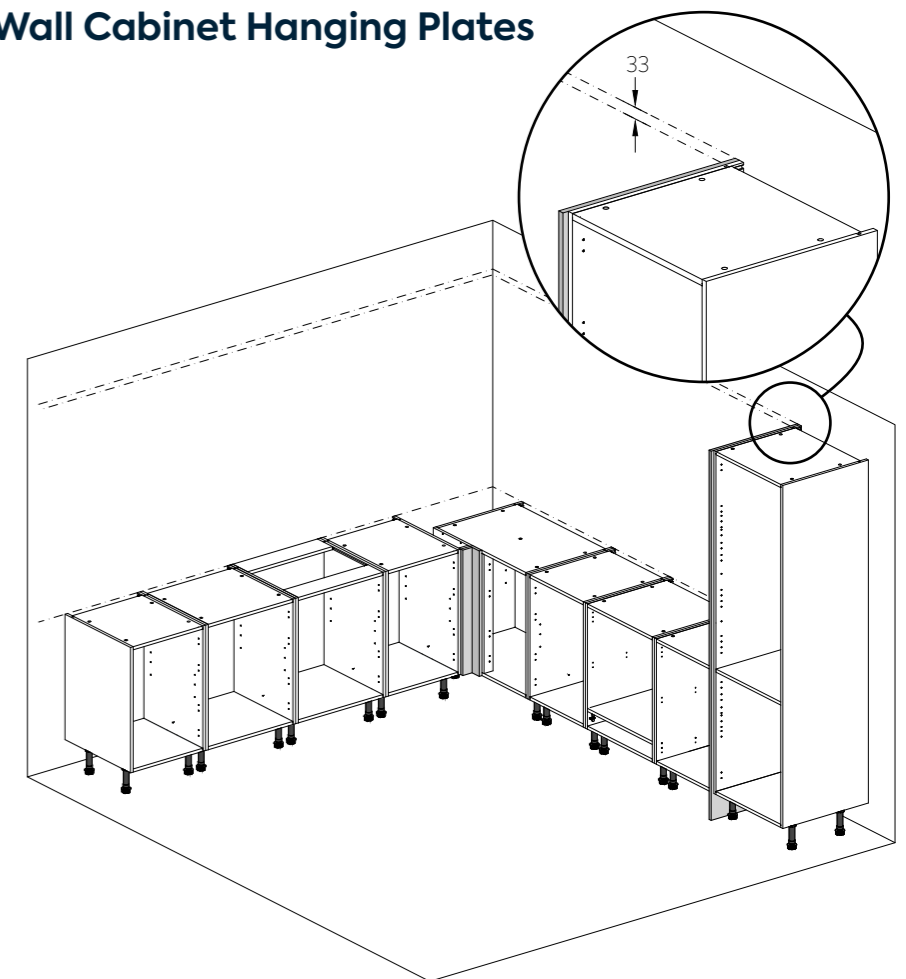
Step v. - Mark a Line for the Wall Cabinet Hanging Plates

Mark a line around the room to show the upper edge of the Hanging Plates.

Kitchens WITH Tall Cabinets: measure 33 mm down from the top of these units

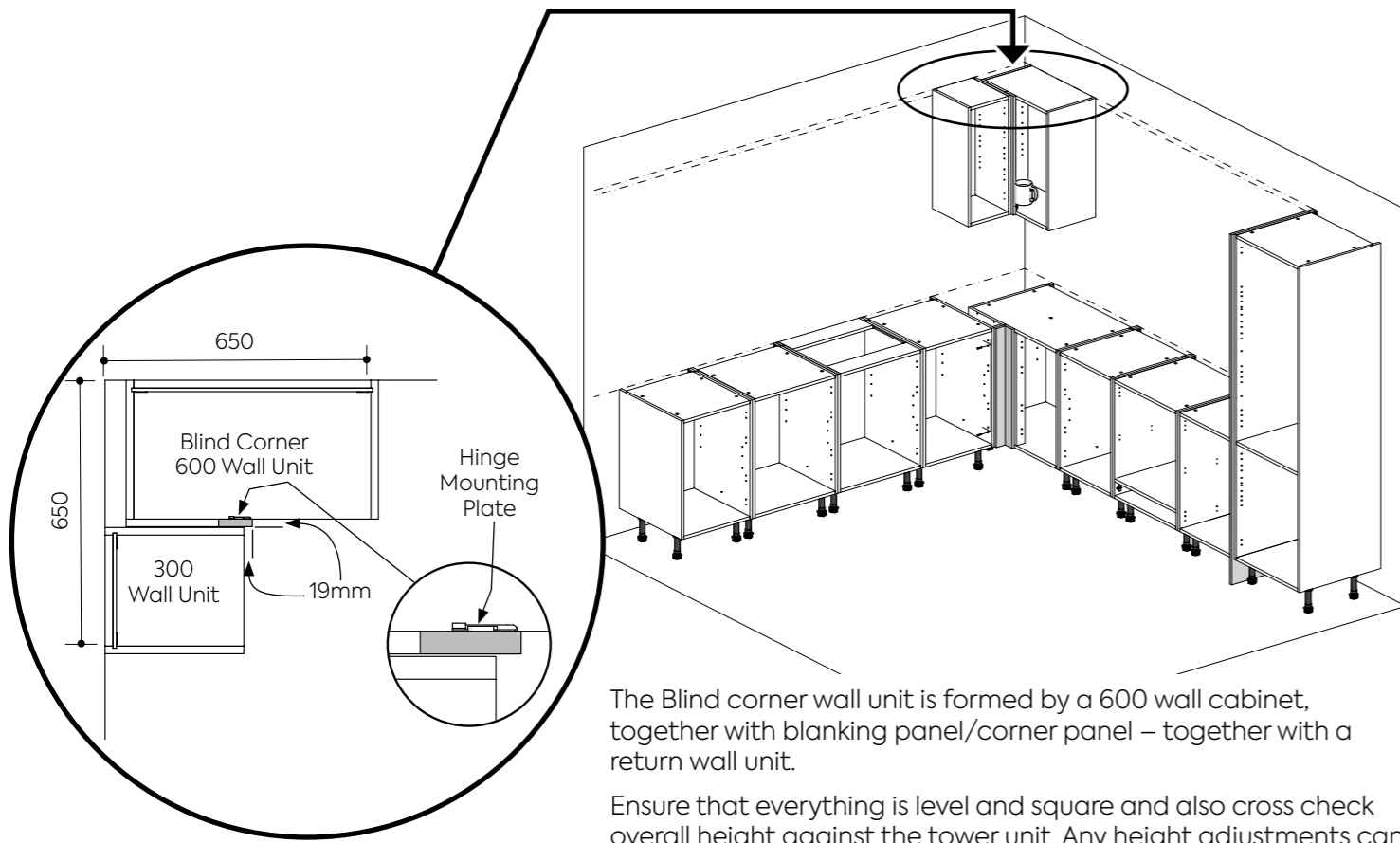
Kitchens WITHOUT Tall Cabinets: measure 1937 mm up from the floor.

For wall plate fixing instructions refer to the individual assembly leaflet included within each Wall Cabinet pack.



Plinths are 150mm high – ensure you adjust the height of the cabinet feet to compensate for the thickness of any flooring that is to be installed.

Step vi. - Blind Corner Wall Unit Installation



Note: Please ensure you fit the hinge mounting plates to the rear face of the corner panel – it is much easier to do this before the units are hung onto the wall.

The Blind corner wall unit is formed by a 600 wall cabinet, together with blanking panel/corner panel – together with a return wall unit.

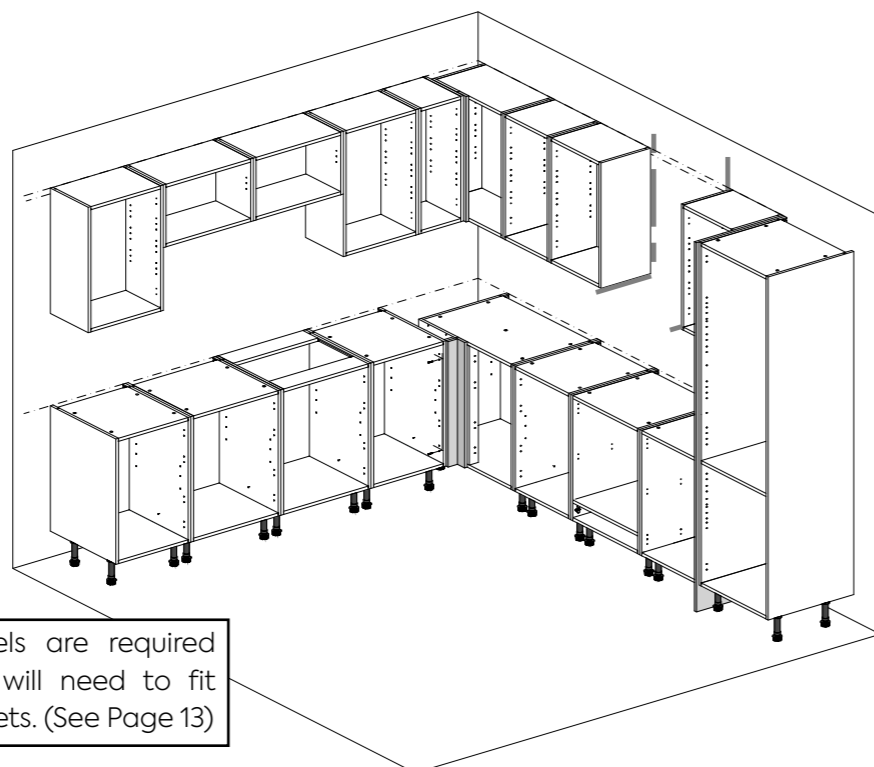
Ensure that everything is level and square and also cross check overall height against the tower unit. Any height adjustments can be made at this point via the wall unit hanging brackets.


Fix the two cabinets together with 30mm screws.

Note: how the corner door is hung from the rear face of the corner panel.

Step vii. - Fit the Remaining Wall Units

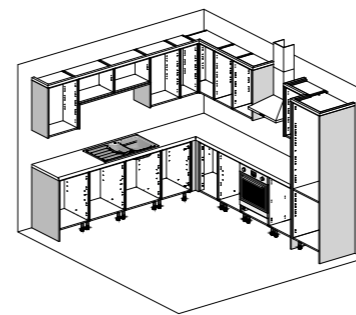
Wall fixings are not supplied, as they vary greatly depending on the type of wall and house build involved. We recommend you consult with an experienced tradesperson, or one of the popular Screws/Fixings stockists for advice on the best choice of fixings to suit your house build type.



 If Clad-on Décor Panels are required between cabinets you will need to fit them while installing the cabinets. (See Page 13)

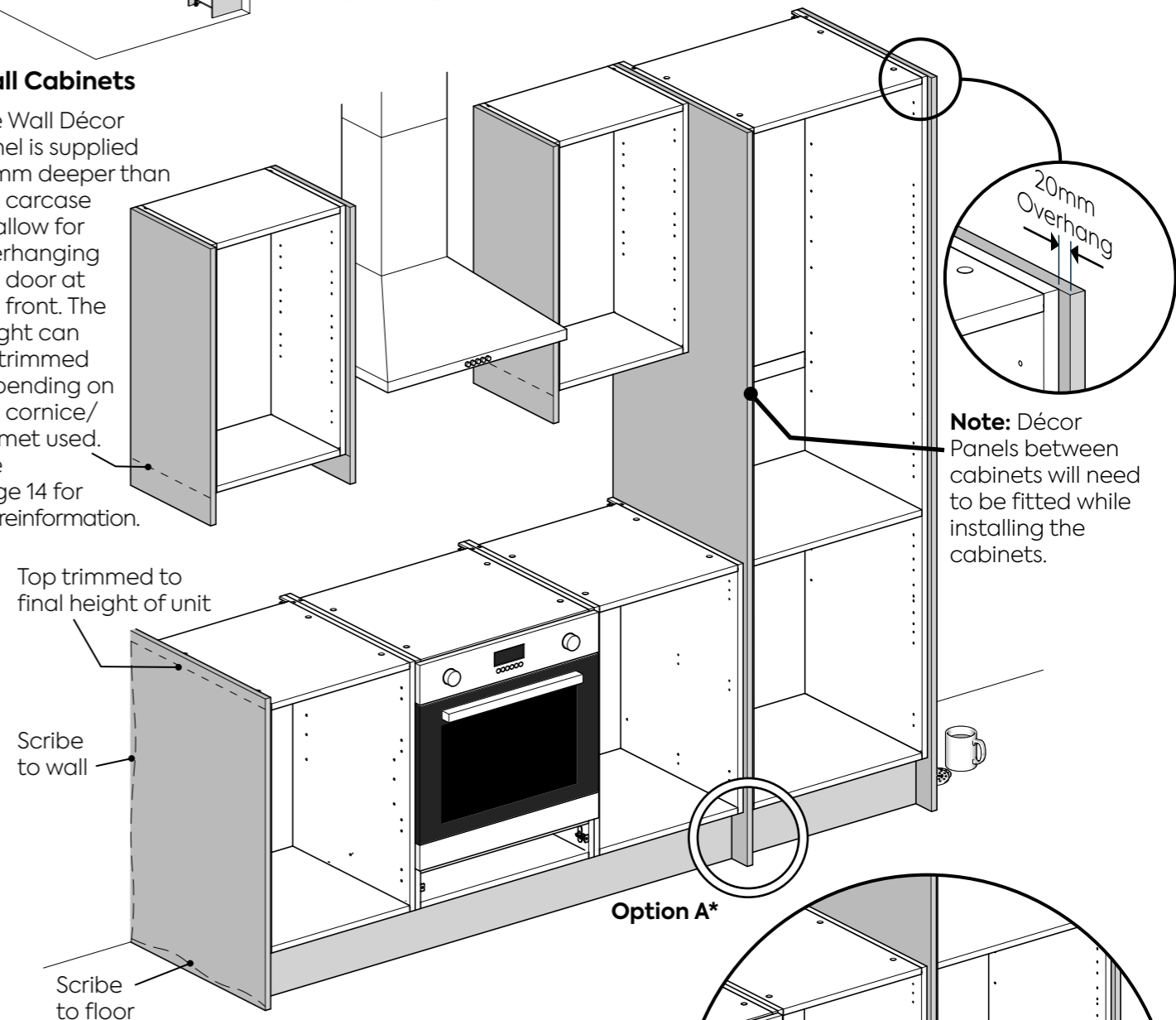
SECTION 3: CLAD-ON DÉCOR PANELS, DOORS, HANDLES & TRIM

Clad-on Décor Panel



Wall Cabinets

The Wall Décor Panel is supplied 20mm deeper than the carcass to allow for overhanging the door at the front. The height can be trimmed depending on the cornice/pelmet used. See page 14 for more information.



Note: Décor Panels between cabinets will need to be fitted while installing the cabinets.

* There are two options to finish the bottom of Tower unit Décor Panels: **Option A**, which runs the panel through the plinth, or **Option B**, which is notched out to allow the plinth to run flush.

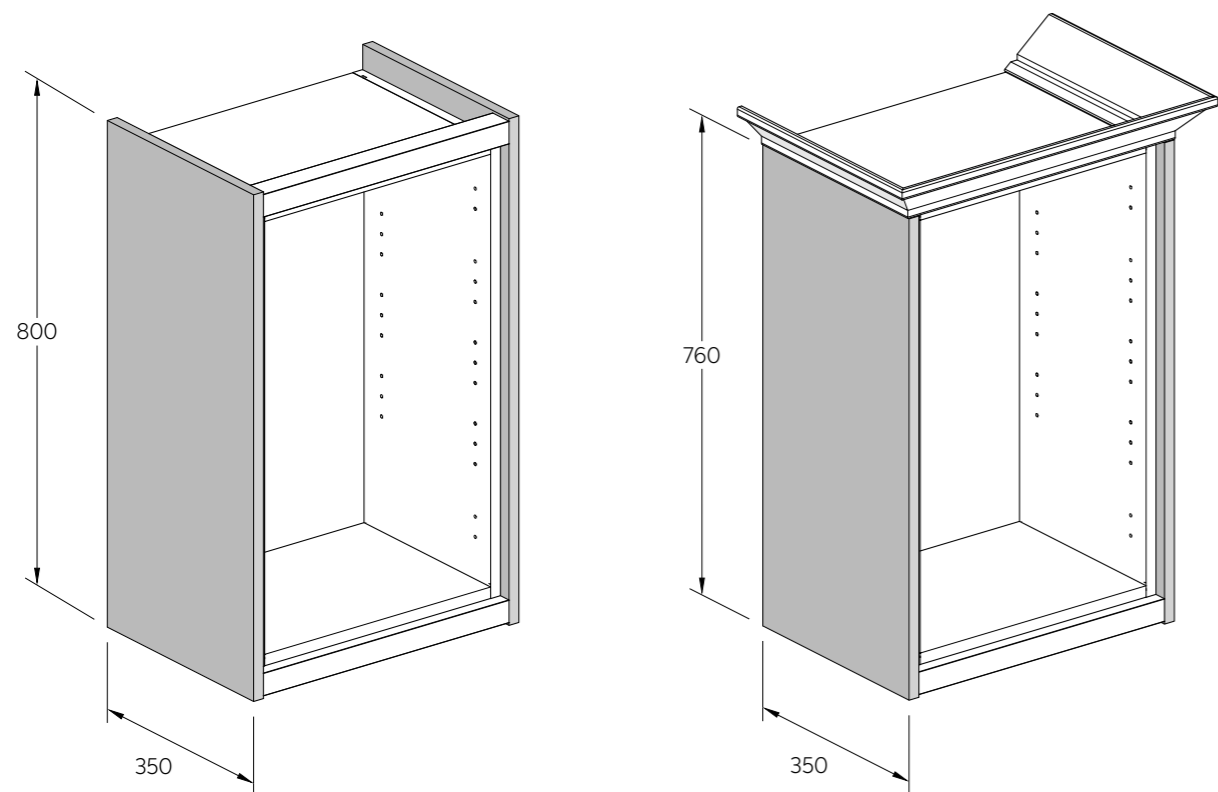
Option A may be a better choice if there's a long run of adjacent base units – longer than 3m – as it will avoid having to butt-joint a number of plinths.

Option B*

Clad-on Décor Panels on Wall Units

Note that the size of wall décor end panel allows for an easy fit option, with no cutting of the panel required. The 40mm overlap at top and bottom will accommodate the 36mm high multi-purpose cornice/pelmet, with no mitre cuts needed – just a simple straight butt joint.

Alternatively, as shown on the right – Decor panels can be trimmed to length to make a feature of Classic Cornice, which is mitred at the corners



Décor Panels for Wall Units are 800w x 350 deep. Here two are used un-trimmed on a Wall Unit with a length of Multi-Purpose Rail top and bottom.

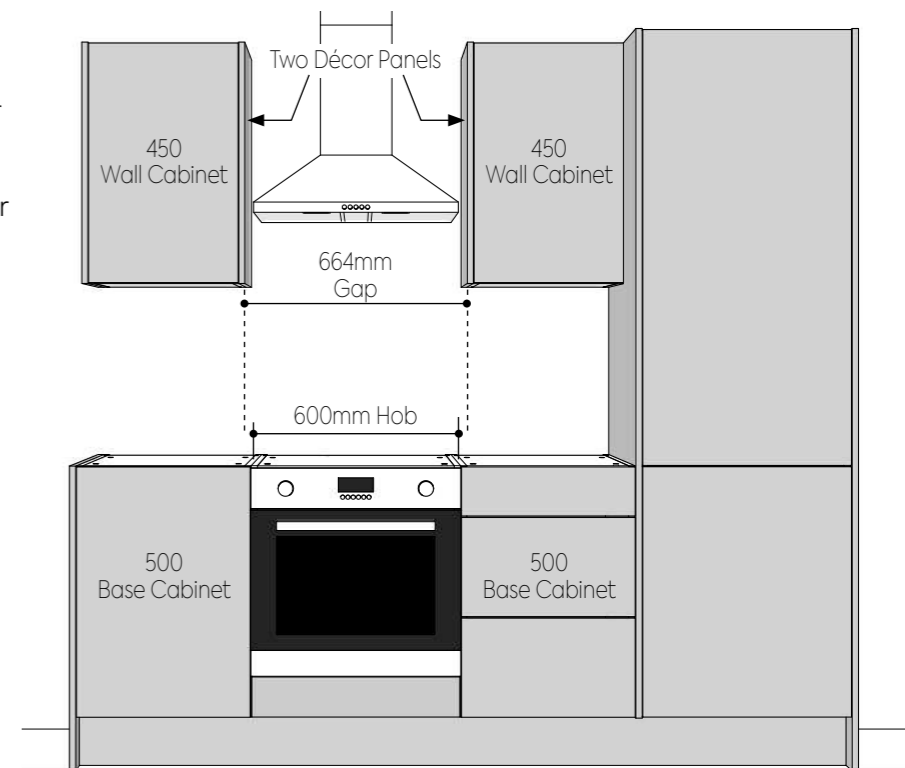
Here two Décor Panels are used, trimmed to fit, with Cornice Classic on top and a length of Multi-Purpose Rail below.

Clad-on Décor Panels around Ovens/Extractors

Please check the installation instructions or guidelines with your appliance manufacturer – specifically the clearances required above a hob (especially gas hobs). The area above the hob must be clear of combustible materials to comply with safety legislation. There are a couple of options to achieve this:

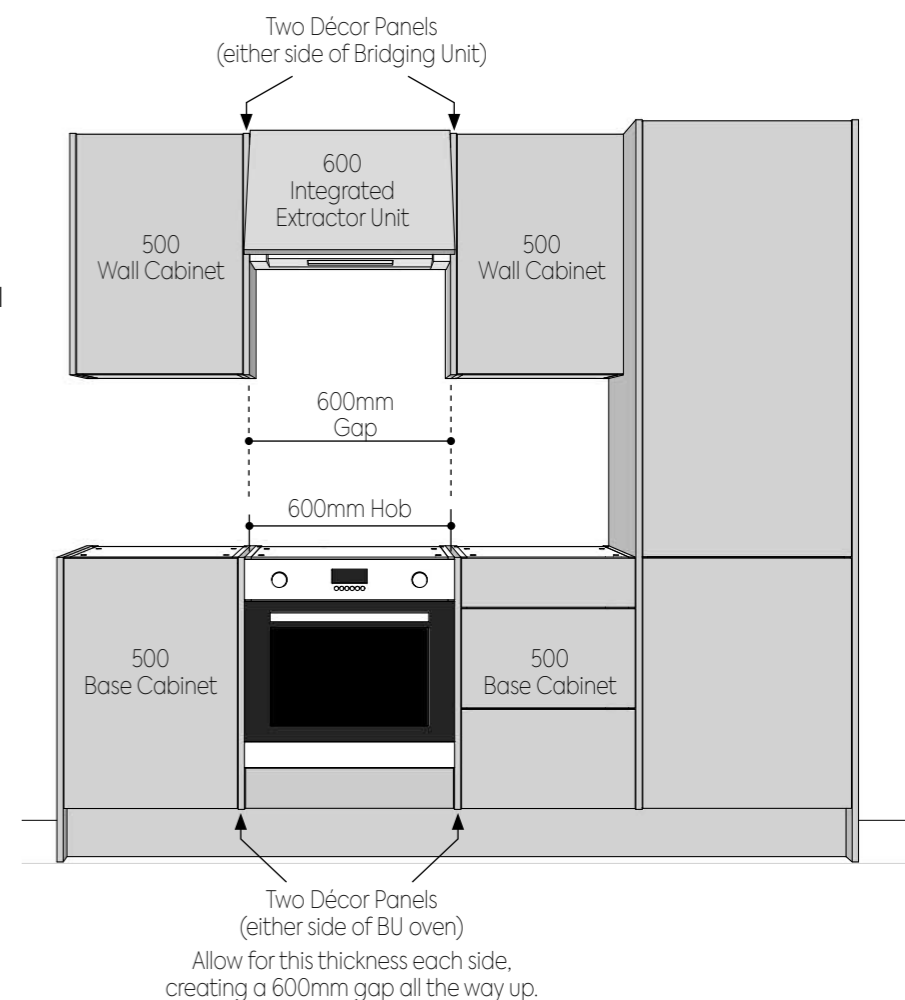
Option 1 – Chimney Extractors

Always allow a wider planning space for chimney or freestanding extractors – typically an extra 100mm total. This will allow for the thickness of 2x 18mm Décor Panels, yet still create a gap of 600mm plus above a hob,



Option 2 – Integrated Extractors and Bridging Unit

For Integrated extractors, also allow for 2x base Décor Panels either side of the Oven – this aligns with those on the wall units above, and retains a 600mm wide gap above the hob

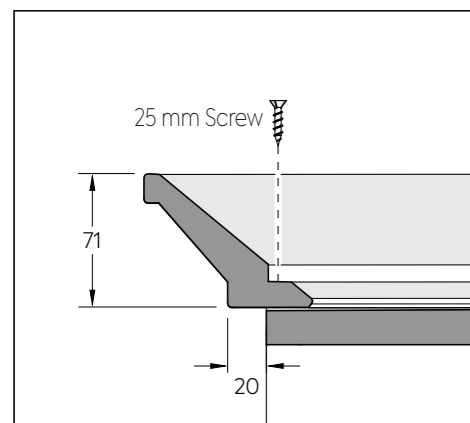
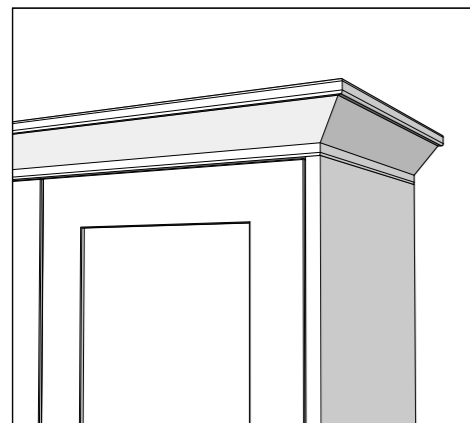


Two Décor Panels (either side of BU oven)
Allow for this thickness each side, creating a 600mm gap all the way up.

Fixing Cornice and Pelmet

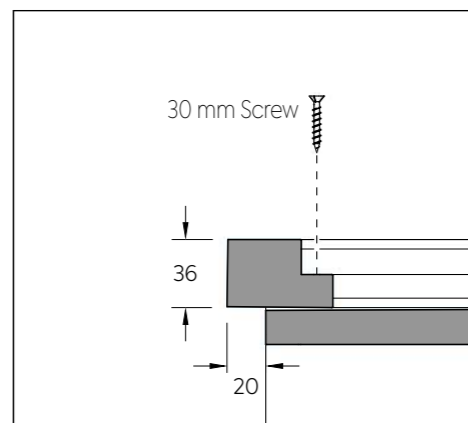
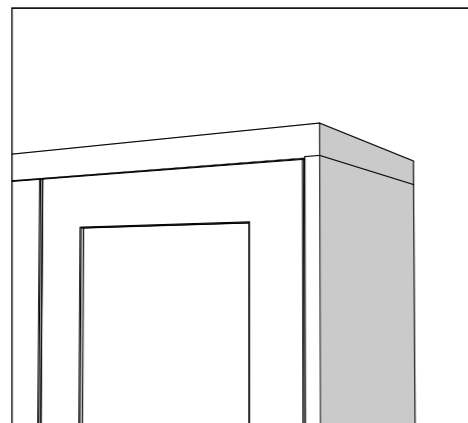
Cornice Option 1

Classic Cornice with Mitre Joint



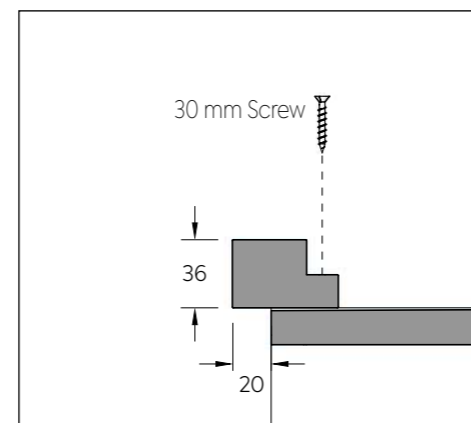
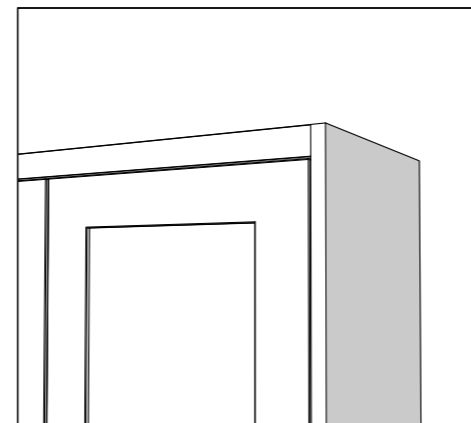
Cornice Option 2

Multi-Purpose Cornice with Mitre Joint



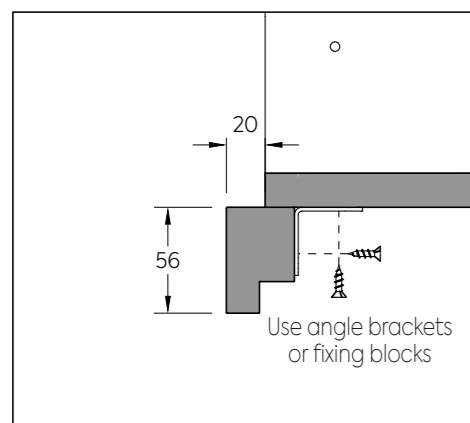
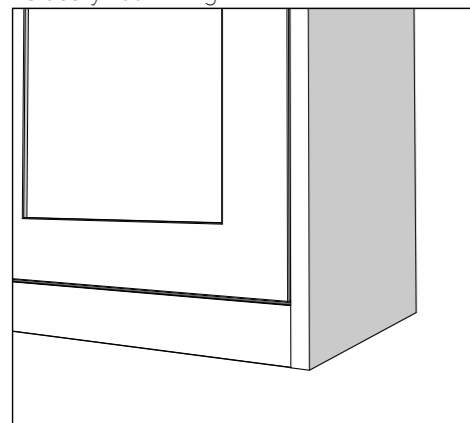
Cornice Option 3

Multi-Purpose Cornice with Butt Joint



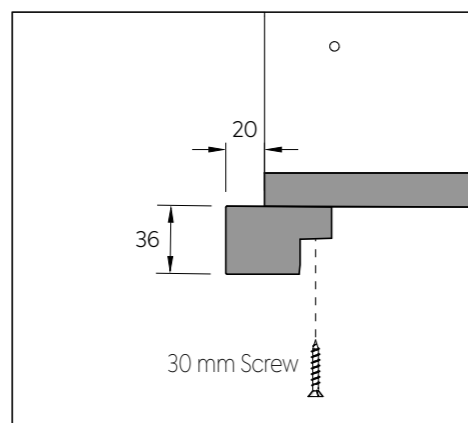
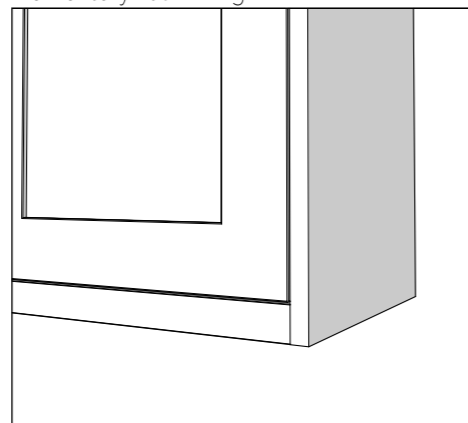
Pelmet Option 1

Multi-Purpose Pelmet with Butt Joint Fitted Vertically - 56mm high

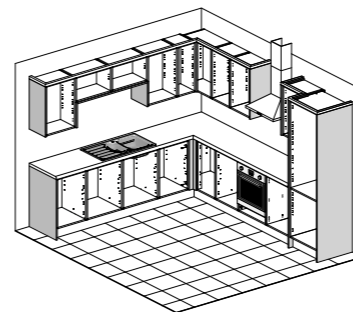


Pelmet Option 2

Multi-Purpose Pelmet with Butt Joint Fitted Horizontally - 36mm high



Plinth Fitting



Lay flooring

It is not advisable to fit flooring underneath kitchen cabinets. The weight of the cabinetry will inhibit any natural expansion & contraction needed by the flooring material – this is to prevent it from bowing.

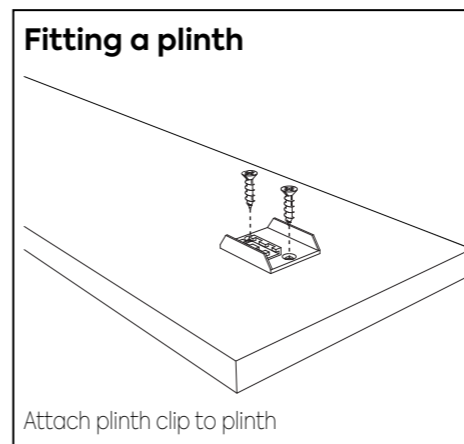
Fit the plinth

The plinth may need to be trimmed to allow for irregularities in the floor.

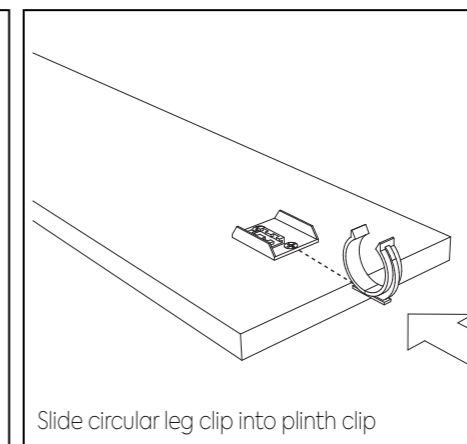
All raw/cut edges must be covered with the edging tape or sealed with a suitable sealer.

For instructions on fixing Plinths to the cabinets refer to the individual assembly leaflet included within each cabinet pack.

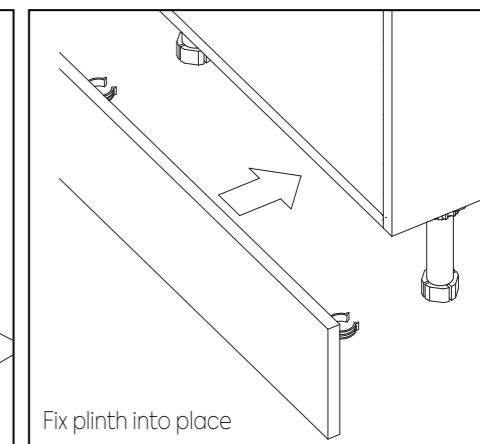
Fitting a plinth




Attach plinth clip to plinth



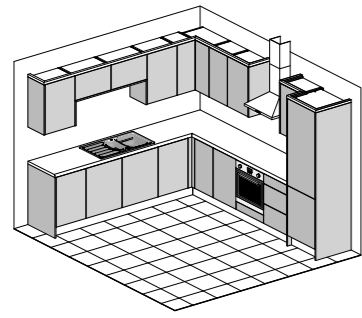
Slide circular leg clip into plinth clip



Fix plinth into place

 Don't use sealant to fix your plinth, it will almost certainly need to be removed at some point, for cleaning, decorating purposes, or access to appliances for repair/service.

Fit the Drawers, Adjustable Shelves and Doors



Assemble and fit the Drawer Boxes and drawer fronts (refer to the assembly leaflet included with the drawer pack).

Fit all the Adjustable Shelves as instructed in the individual assembly leaflet included within each cabinet pack).

Hang the doors. (refer to the assembly leaflet included within each cabinet pack).

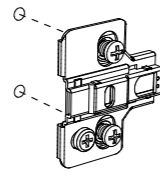
Integrated Appliance Doors. Refer to information included with the appliance for information on fitting integrated appliance doors.

NOTE: Fit any wirework required this step. Refer to manufacturers instructions for information on how to fit.

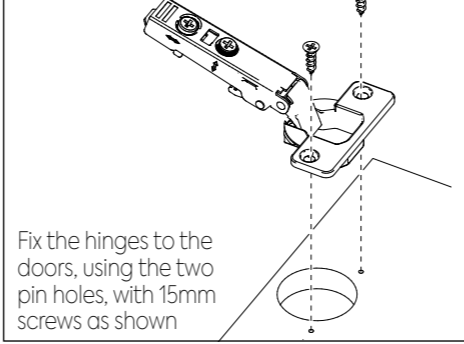
Hanging the Doors

Attach hinge mounting plate to inside of end panel.

Note: the flat edge of the mounting plate should face forwards.



NOTE: Ensure that doors are placed on a flat surface that will not scratch the face while fitting the hinges.

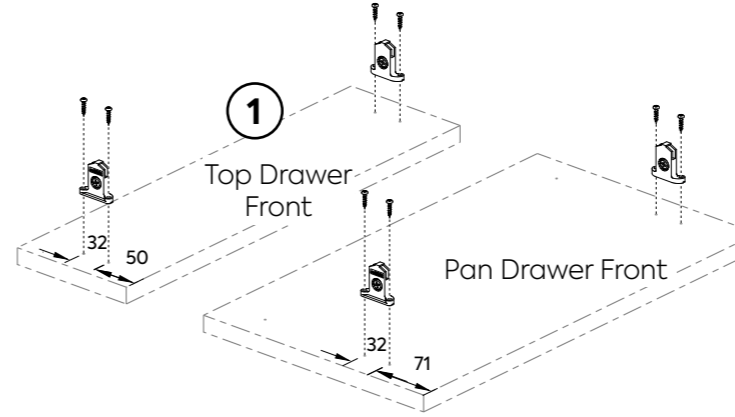


Clip the Door onto the hinge mounting plates. If required adjust door position as shown below:

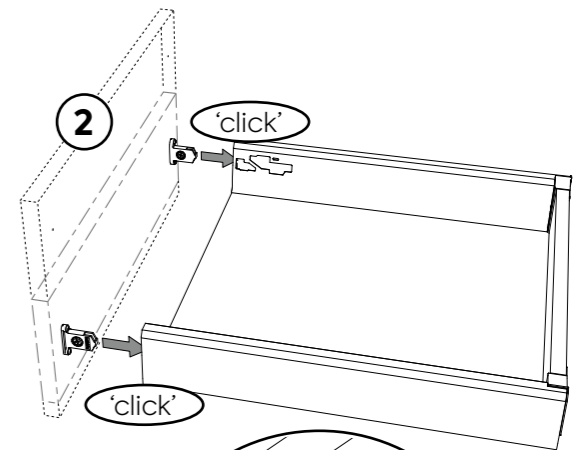
Depth Adjustment ± 2mm	Side Adjustment ± 3mm	Tilt Adjustment	Height Adjustment ± 2mm

Drawer Front Fixing

1. Using Pan Head Screws attach the two Front Fixing Brackets to the Top Drawer Front and Pan Drawer Front x 2.



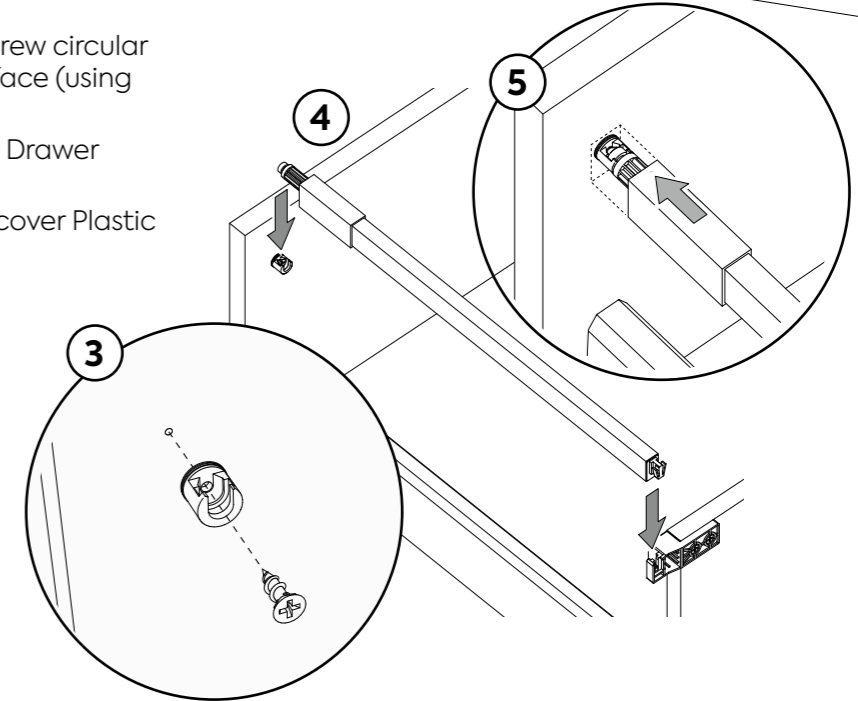
2. Push Drawer Fronts into Drawer Sides, as shown, so the Brackets click into position.



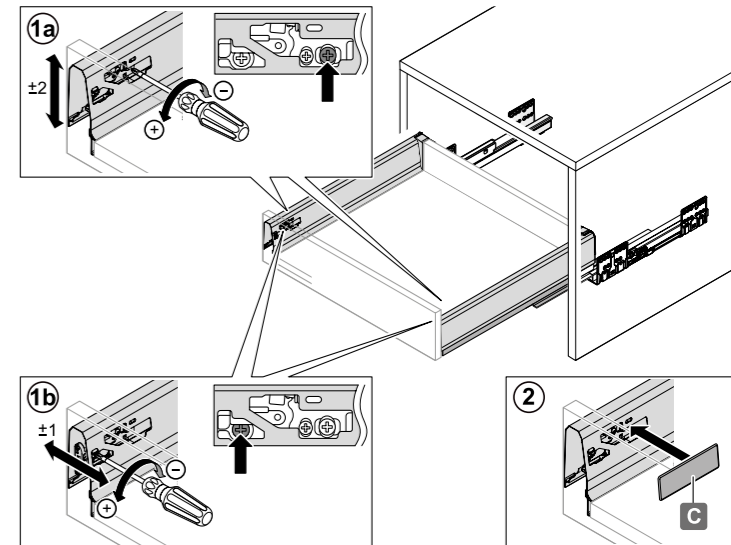
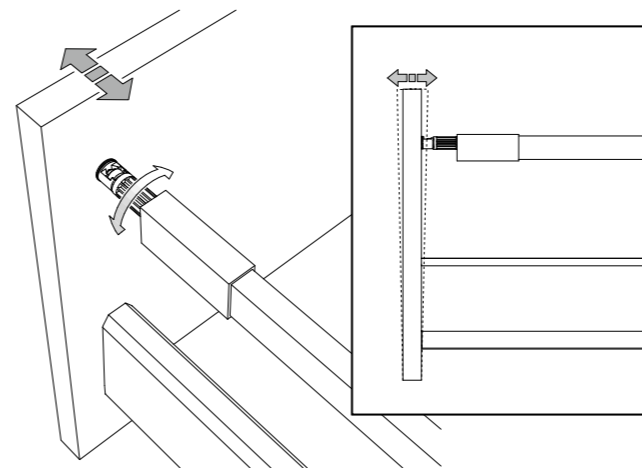
3. On Pan Drawer Fascia screw circular plastic clip into the rear face (using the pin holes).

4. Attach gallery rail to Pan Drawer Fascia as shown.

5. Slide plastic housing* to cover Plastic Clip



Drawer Adjustment



*Pan Drawer Fascia tilt adjustemnt.

Prior to the plastic housing being slid into position –tilt adjustment is achieved by rotating the circular front section of the gallery rail.

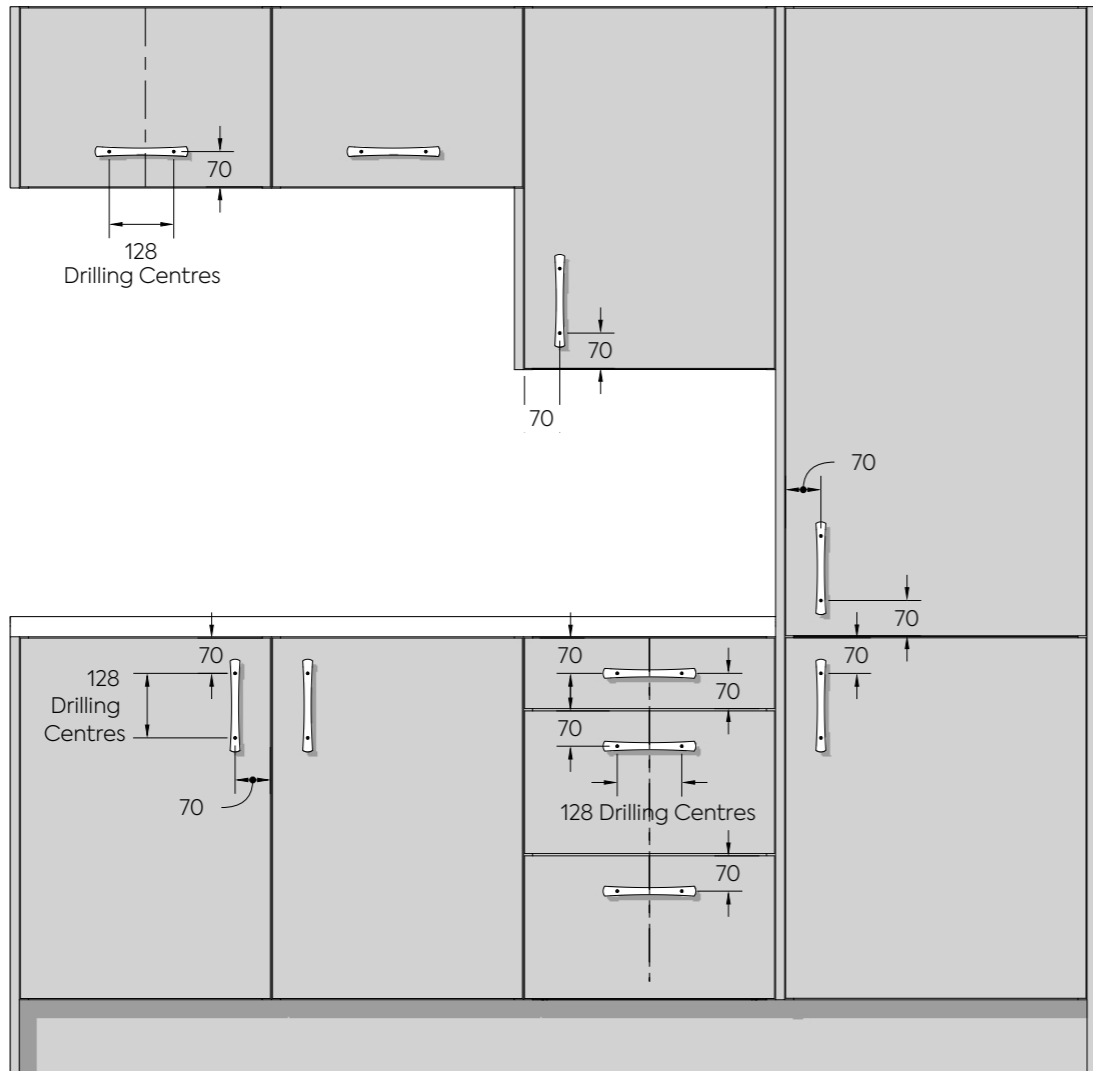
Drawer Fascia height and horizontal adjustemnt

Fit Door & Drawer Handles

The fixing positions shown are intended as a general guideline – carefully measure & mark the front face before drilling through using a 5mm diameter drill bit. Use a scrap block on the rear face to prevent excess chipping as the drill comes through.

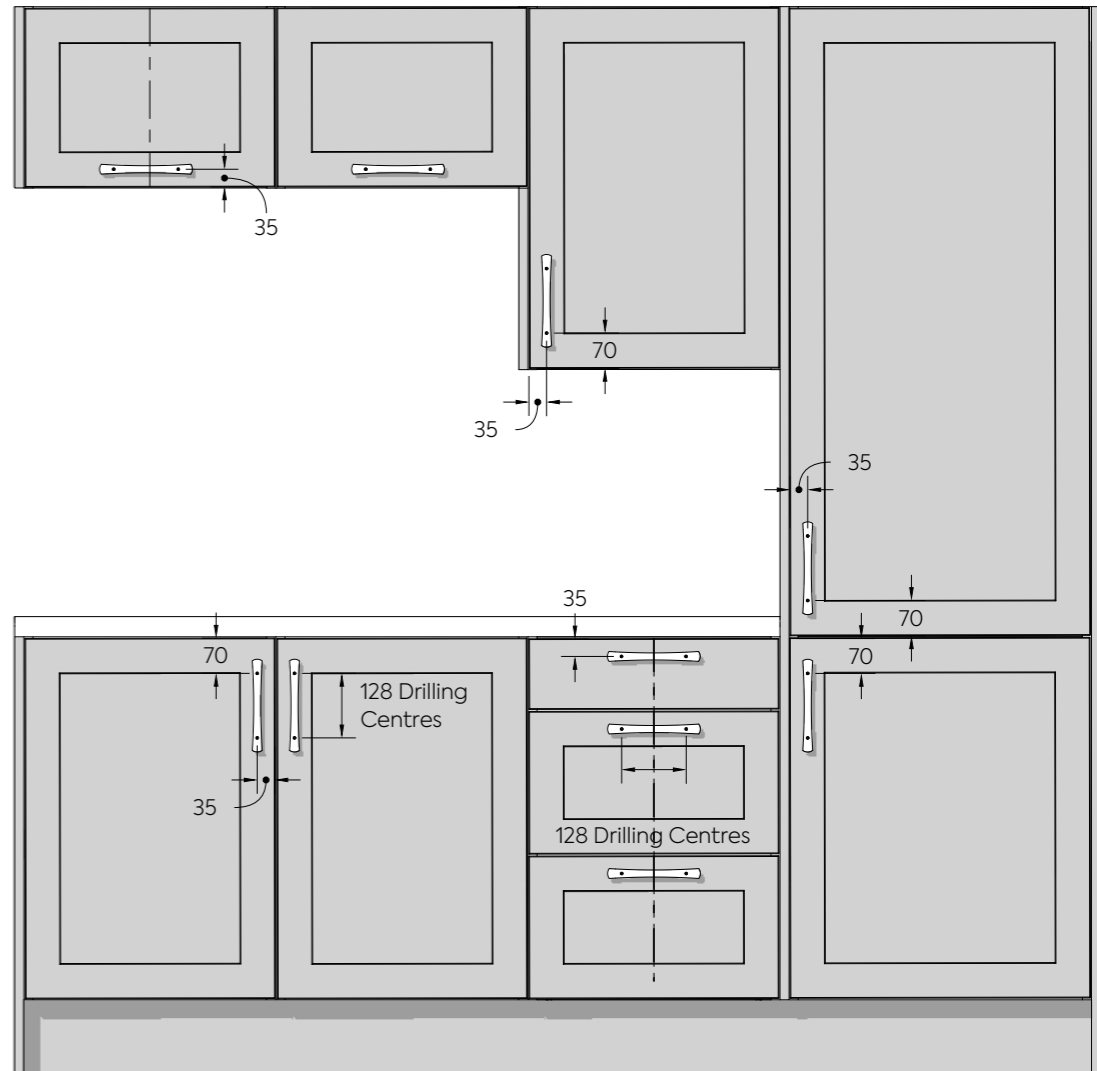
Slab Door Handles

The diagram on right shows the fixing positions for Rail Bar, T Bar and Tapered Bow Handles on Slab Doors.

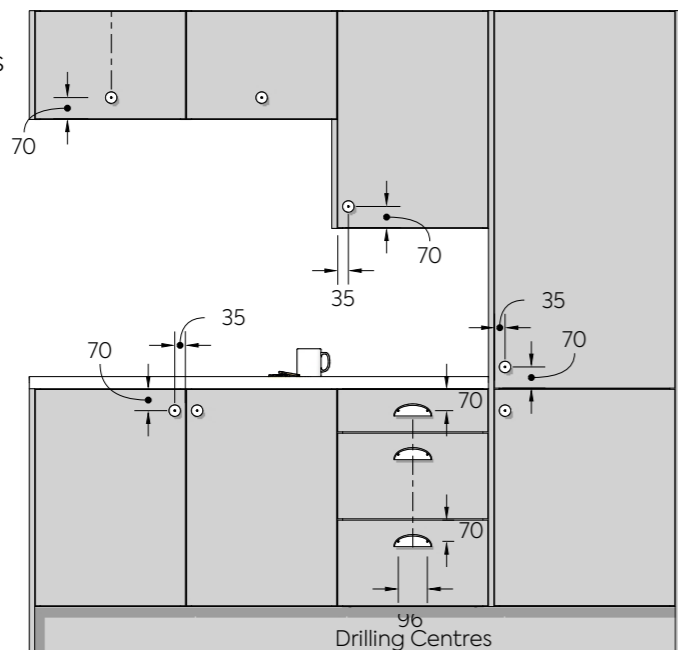


Shaker Door Handles

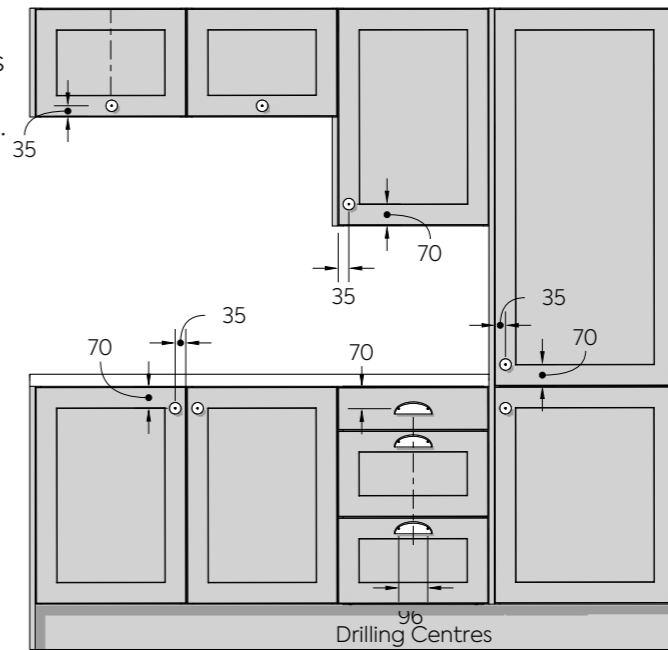
The diagram on right shows the fixing positions for Rail Bar, T Bar and Tapered Bow Handles on Shaker Doors.



The diagram on right shows the fixing positions for Windsor Knob/Shell Handles on Slab Doors.



The diagram on right shows the fixing positions for Windsor Knob/Shell Handles on Shaker Doors.



SECTION 4: TOOLS REQUIRED, HINTS & TIPS



Please spend five minutes reading this section (a cuppa is a good idea!) before commencing to assemble and install a Kitchen Kit kitchen. You may already have noticed that individual assembly leaflets are included within each cabinet pack. These give details of the construction of the actual cabinet – the purpose of this manual is to show how all of the components are brought together to create a fitted kitchen.



Some pieces of hardware could be hazardous to small children.

Keep all these items out of reach and do not leave children unattended in the assembly area.

Many of the units, particularly the double door units and tall units, are heavy and should be lifted with caution.

To reduce risk, do not fit doors or drawers until the units have been attached to the walls.

DO NOT USE A KNIFE TO OPEN THE BOXES AS THIS MAY DAMAGE THE CONTENTS.

Read the Plans

- Find and review the plans and any other drawings used to prepare customer orders. Pay particular attention to any units that have special features or will be positioned unusually.

Preparation

- Before starting any assembly, spend some time preparing the area where the units will be fitted.
- To help your project run smoothly, make sure you've checked the measurements and dimensions before you start work.
- After checking that all the units ordered have been delivered, the area should be stripped out and any obstructions such as old skirting, disused pipes, tiles etc. removed.
- It is not advisable to fit timber doors in newly constructed or recently plastered rooms. High moisture content in the environment may cause the doors to swell and split.
- Don't store the products in an unsuitable place or on hard surfaces such as concrete etc. as they may get damaged.
- To get long term use and performance from Kitchen Kit products, make sure the kitchen is installed as per these guidelines.
- Protect the finish on panels by laying them on the floor and using the packaging to prevent scratches.
- Do not over tighten screws and be particularly careful when using power screwdrivers.
- Make sure that all the parts and hardware have been enclosed. Contact Kitchen Kit Customer Services if there is anything missing or damaged.
- It is recommended that flatpack units are built in the room they are to be installed.

Services

- If the customer wishes to fit or move any electric, gas or water points, now is the time to do this.
- Services to appliances should be to the manufacturer's specification and fitted by a qualified person.
- Kitchen Kit designers have created clear, easy-to-follow instructions but, if you have any difficulties, please contact Kitchen Kit Customer Services who can help at any stage of the process.

Walls and Floor

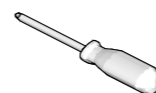
- Make sure all plaster work is sound particularly where the units will be attached. This is between 800 and 870mm up the wall for base units and between 2100 and 2400mm from the floor for wall units. It is important to make sure all plaster is dry before fitting units as damage may occur to the units.
- Floors should be sound and able to take the weight of the units and appliances.

Decorating

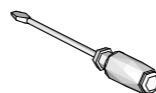
- Although the units will cover a large amount of the floors and walls, it may well be easier to decorate the areas of the walls, ceiling and floor that will show around the units before installation. This is particularly true of the wall and ceiling above the wall units and space between the base and wall units. If tiles are to be fitted, it is recommended that this is done after the units and worktop have been installed.

Tools

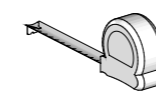
The following tools are necessary for assembling and installing the units:



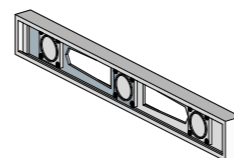
Pozi Screwdriver



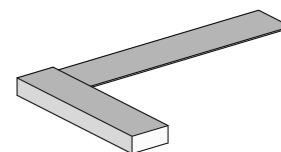
Flat Headed Screwdriver



Tape Measure



Spirit Level



Set Square



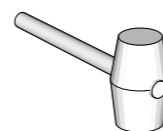
Cuppa & Biscuits



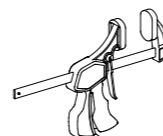
Electric Drill with 8mm, 5mm & 3mm diameter wood drill bits and appropriate masonry drill bits



Bradawl



Mallet



Hand Clamps/Grippers (minimum of two)



Dustmask (to be worn whenever cutting MDF)

SECTION 5: CARE AND MAINTENANCE

As with all timber based items our products should not be stored or installed in a newly plastered or damp environment.

To avoid damage by excessive heat please follow these simple guidelines:

- When installing doors adjacent to ovens always ensure that doors are shielded by using heat deflector strips.
- Never use any appliance which generates high levels of heat or concentrated steam (such as a toaster, kettle or pressure cooker) directly under or adjacent to a door or panel.

Gloss and matt colours

- After removing the protective film please allow the surface to cure for seven days before cleaning or wiping.
- Polishing High Gloss finishes will leave minor scratches and polish marks, this is normal with this type of finish.

To clean door surfaces:

- Wipe using a soft cloth with a mild, non abrasive, dish-washing detergent diluted in warm water. The mix should be 1% detergent to 99% warm water (not wet).
- Dry off with a soft dry cloth.
- You should never use any vinegar based detergents, solvents, abrasive detergents, white spirit, Brillo pads or furniture polish.

NOTES



KITCHEN KIT

TRADE KITCHENS **MADE EASY**

**UK MANUFACTURED,
LEADING QUALITY &
ON-TREND DESIGN**

EASY TO CHOOSE

EASY TO BUY

EASY TO BUILD

Your Local Depot:

Virtual Depot Support T +44 (0)333 666 5999
customerservices@kitchenkit.co.uk
kitchenkit.co.uk

Merchant Support T +44 (0)1302 794333
merchant@kitchenkit.co.uk
merchant.kitchenkit.co.uk

KITCHEN KIT
Sandall Stones Road, Kirk Sandall, Doncaster
South Yorkshire DN3 1QR

For terms & conditions please visit the website.



We make every effort to ensure the accuracy of information in this Product Guide. However, we reserve the right to change at any time without notice, information contained in this document and make no warranties or representation as to its accuracy.